
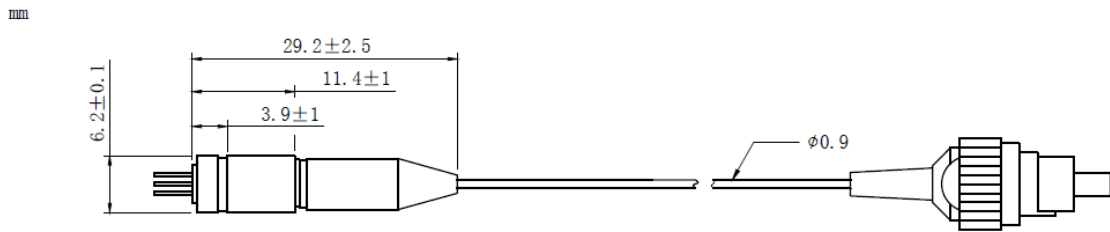


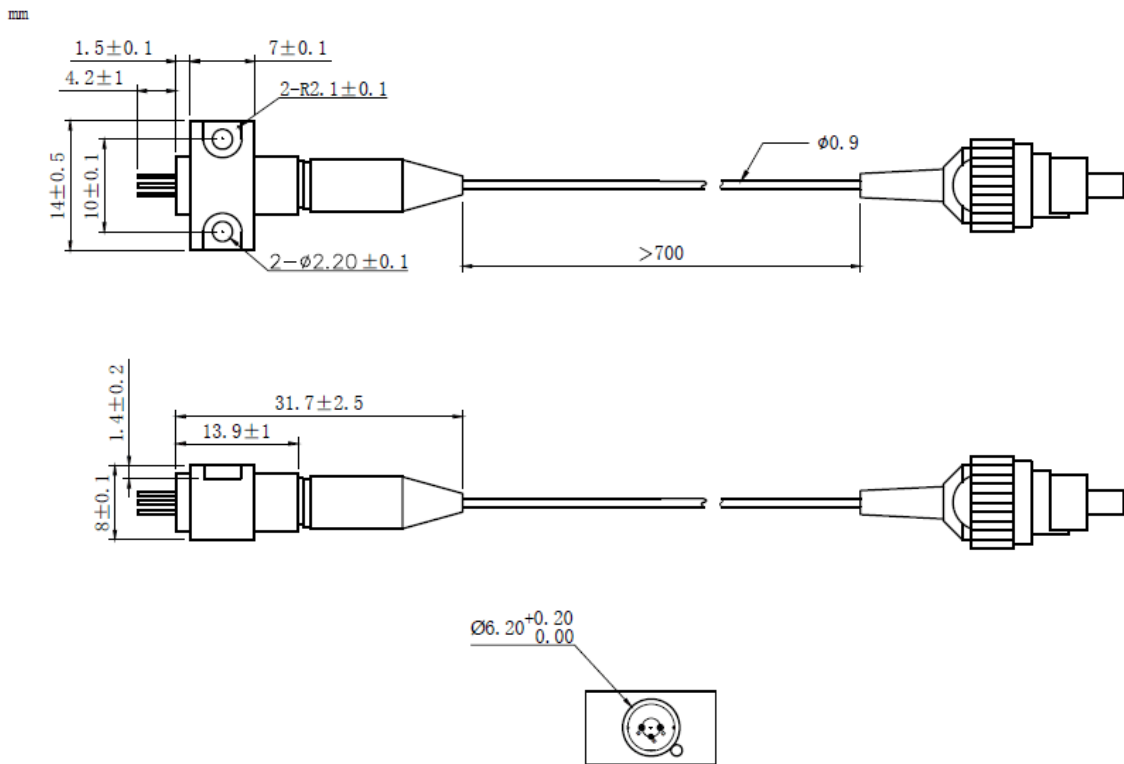
**905nm 70mW~80mW PM Fiber Coupled Laser Diode with Coaxial Package |Infrared Laser Diode  
905nm~915nm 70mW Coaxial Pigtailed LD with Polarization Maintaining Fiber (SM Fiber)  
RWLP-905-070m-PM-PD**

905nm Pigtailed Diode Laser		70mW/PM Fiber	
PARAMETER	SYMBOL	VALUE	UNIT
Reverse Voltage	$V_r$	2.0	V
Operating Temperature	$T_{op}$	-10~+70	°C
Storage Temperature	$T_{stg}$	-40~+85	°C
Lead soldering temperature (10 sec.)	$T_{is}$	260	°C
<b>Features:</b> <ul style="list-style-type: none"> <li>● 905nm</li> <li>● PM Fiber</li> <li>● High Reliability</li> <li>● High Polarization Extinction Ratio</li> </ul>			
<b>Applications:</b> <ul style="list-style-type: none"> <li>● Biological Instruments</li> <li>● Analytical Equipment</li> <li>● Others</li> </ul>			
<b>Specifications</b>	<b>RWLP-905-070m-PM-PD</b>		
	Min	Type	Max
Center Wavelength@25°C	±5nm	905nm	±10nm
Recommended work Temperature	25°C		
Output Power	----	70mW	----
Fiber Type	Polarization Maintaining Fiber		
Fiber Core	5um		
Polarization Extinction Ratio	13dB	15dB	----
Monitor Current	----	0.3mA	----
Fiber Connector	FC/APC		
Fiber Length	----	80cm	100cm
Threshold Current (Typ.)	----	30mA	70mA
Operating Current (Typ.)	----	240mA	260mA
Operating Voltage	----	2.2V	2.8V
Package Style	Coaxial or B82		
High Polarization Extinction Ratio (PER) Version Laser Module is also available, please contact us.			

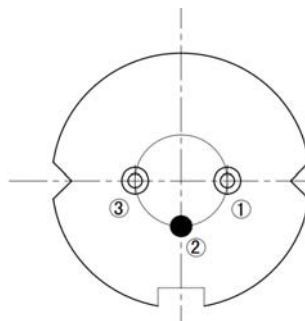
**Coaxial Package View: (Part Number: RWLP-905-070m-PM-PD)**



**B82 Package View: (Part Number: RWLP-905-070m-PM-B-PD)**



**PIN Bottom View:**



PIN 1	LD(-)
PIN 2	LD(+)&PD(-), CASE
PIN 3	PD(+)

Electrically shorten LD module and store in non-extreme conditions.  
Suggest using the constant current power supply.

