


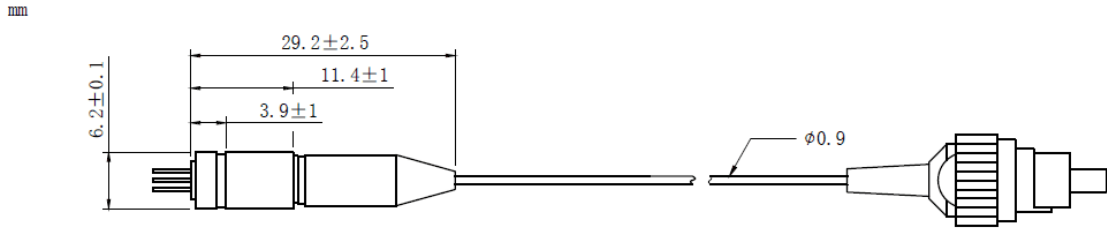
650nm~660nm 80mW SM Fiber Coupled Laser Diode with 4um Single Mode Fiber

658nm 80mW High Power Pigtailed Diode Laser with Coaxial Package | High Power SM Red LD Module

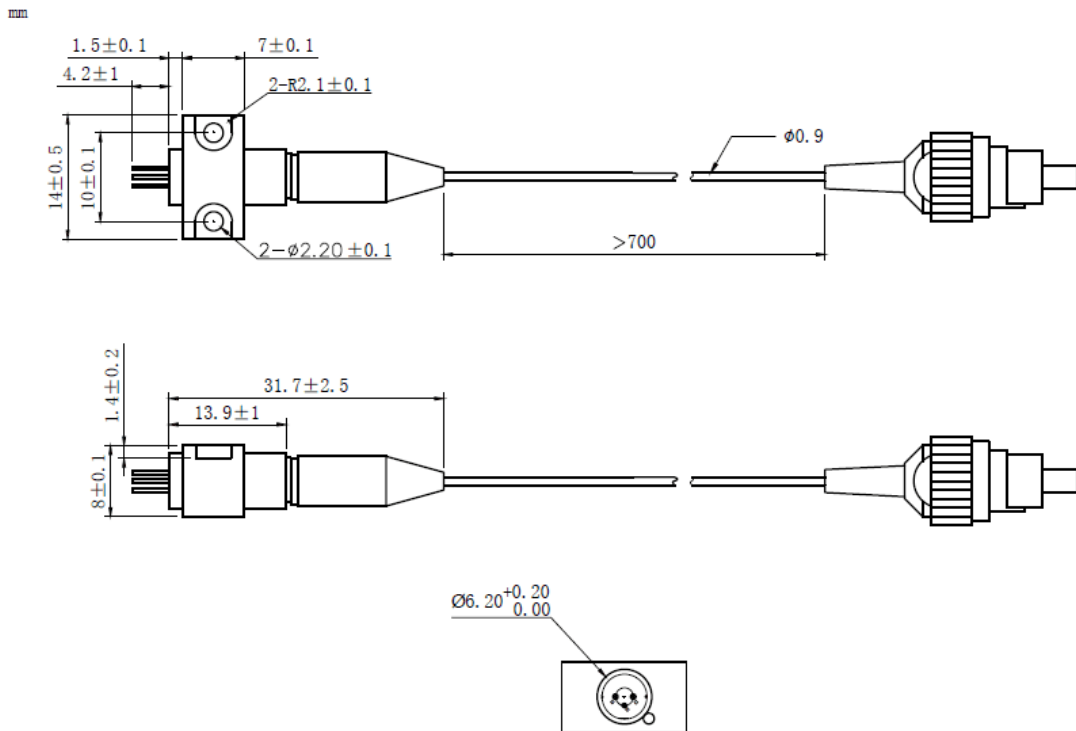
RWLP-650-080m-4

650nm Pigtailed Diode Laser		80mW/SM Fiber	
PARAMETER	SYMBOL	VALUE	UNIT
Reverse Voltage	V_r	2.0	V
Operating Temperature	T_{op}	-10~+60	°C
Storage Temperature	T_{stg}	-40~+85	°C
Lead soldering temperature (10 sec.)	T_{is}	260	°C
Features: <ul style="list-style-type: none"> • 650nm • Single Mode Fiber • Coaxial or B82 Package 			
Applications: <ul style="list-style-type: none"> • Medical Laser Treatment • Other 			
Specifications	RWLP-650-080m-4		
	Min	Type	Max
Center Wavelength@25°C	±5nm	658nm	±10nm
Spectral Width (FWHM)	----	2.0nm	----
Output Power	----	80mW	----
Fiber Type	Single Mode Fiber		
Fiber Core	4um		
Recommend Operating Temperature	25°C		
Fiber Connector	FC/SC/SMA905		
Fiber Length	----	80cm	100cm
Threshold Current	----	55mA	80mA
Operating Current	----	210mA	230mA
Operating Voltage	----	2.8V	3.5V
Package Style	Coaxial or B82		

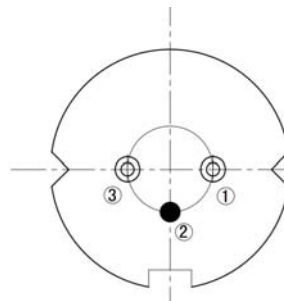
Coaxial Package View: (Part Number: RWLP-650-080m-4)



B82 Package View: (Part Number: RWLP-650-080m-4-B)



PIN Bottom View:



1	LD(+)
2	LD(-)
3	NC

Electrically shorten LD module and store in non-extreme conditions.
Suggest using the constant current power supply.

