
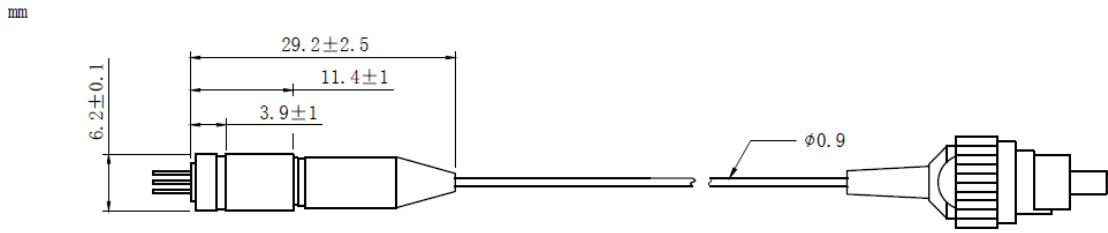


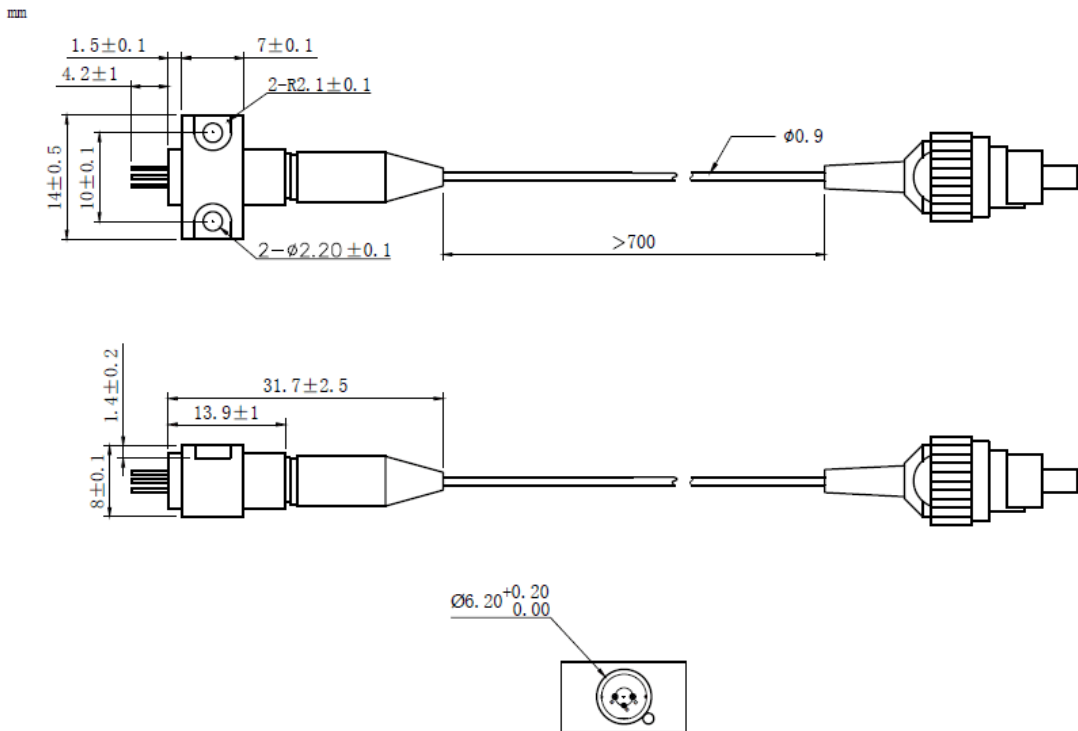
**460nm 30mW Coaxial Pigtailed Laser Diode with Single Mode Fiber| Blue LD**  
**460nm | Single Mode Blue Diode Laser Module | 460nm Fiber Coupled LD| 3um UV SM Fiber**  
**RWLP-460-030m-4**

460nm Pigtailed Diode Laser 30mW/SMF			
PARAMETER	SYMBOL	VALUE	UNIT
Reverse Voltage	$V_r$	2.0	V
Operating Temperature	$T_{op}$	-10~+70	°C
Storage Temperature	$T_{stg}$	-40~+85	°C
Lead soldering temperature (10 sec.)	$T_{is}$	260	°C
<b>Features:</b> <ul style="list-style-type: none"> <li>● 460nm</li> <li>● 3um UV SM Fiber</li> <li>● Coaxial or B82 Package</li> </ul>			
<b>Applications:</b> <ul style="list-style-type: none"> <li>● Medical Laser Treatment</li> <li>● Printing</li> <li>● Others</li> </ul>			
<b>Specifications</b>	<b>RWLP-460-030m-4</b>		
	Min	Type	Max
Center Wavelength@25°C	450nm	460nm	470nm
Spectral Width (FWHM)	----	2.0nm	----
Output Power	----	30mW	----
Fiber Type	3um SM Fiber		
Recommend Operating Temperature	25°C		
Monitor Current	----	----	----
PD Reverse Voltage	----	----	----
Fiber Connector	FC/SC/SMA905		
Fiber Length	>80cm		
Threshold Current	----	20mA	60mA
Operating Current	----	120mA	140mA
Operating Voltage	----	6.0V	7.0V
Package Style	Coaxial or B82		

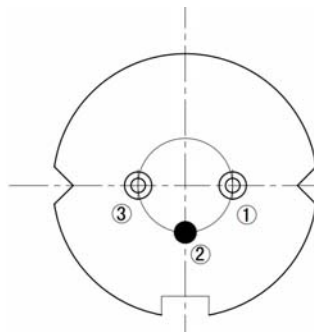
**Coaxial Package View: (Part Number: RWLP-460-030m-4)**



**B82 Package View: (Part Number: RWLP-460-030m-4-B)**



**PIN Bottom View:**



1	LD(+)
2	GND
3	LD(-)

Electrically shorten LD module and store in non-extreme conditions.  
Suggest using the constant current power supply.

