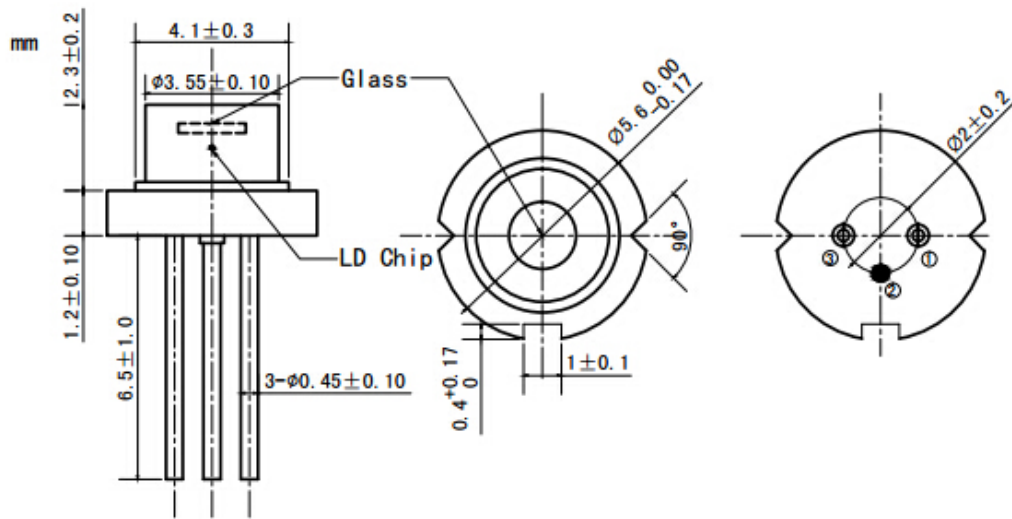


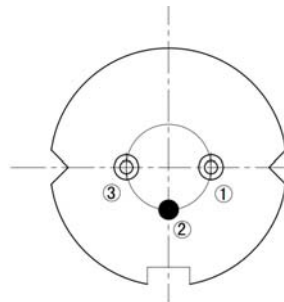
850nm~860nm 1W High Power Laser Diode LD
850nm 1W Multi-mode Laser Diode | TO18 Package| IR Laser Diode
RWSLD-850-001-1

850nm Laser Diode		1W/TO18		
Reverse Voltage	V_r	2	V	
Operating Temperature	T_{op}	-10~+40	°C	
Storage Temperature	T_{stg}	-40~+85	°C	
Lead soldering temperature (10 sec.)	T_{is}	260	°C	
Features: <ul style="list-style-type: none"> ● 850nm ● Multi-Mode Laser Diode ● TO18 Package 				
Applications: <ul style="list-style-type: none"> ● Medical Laser Treatment ● Laser Indicator ● Others 				
Specifications		RWSLD-850-001-1		
		Min	Type	Max
Center Wavelength@25°C		840nm	850nm	860nm
Spectral Width (FWHM)		----	2.0nm	----
Output Power		----	1W	----
Emitter Size		----	50um*1um	----
Beam Divergence (FWHM)		----	36° _⊥ x 10° _{//}	----
Monitor Current		----	----	----
Slope Efficiency		----	0.95mW/mA	----
Threshold Current (Typ.)		----	0.3A	----
Operating Current (Typ.)		----	1.4A	----
Operating Voltage		----	2.5V	----
Package Style		TO18		
Recommended Operating Temperature		25°C		

TO18 Package View



PIN Bottom View:



1	LD(-)
2	LD(+)
3	LD(-)

Electrically shorten LD module and store in non-extreme conditions.

Suggest using the constant current power supply.

