
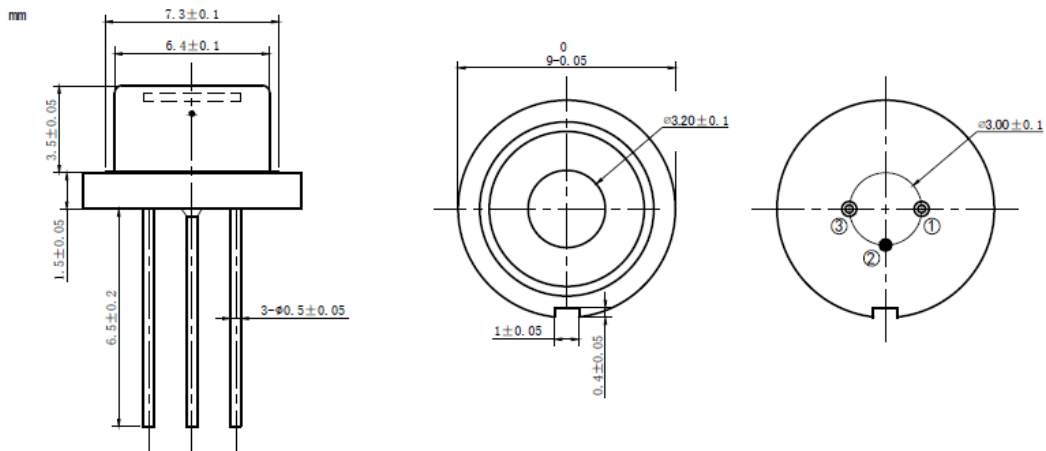


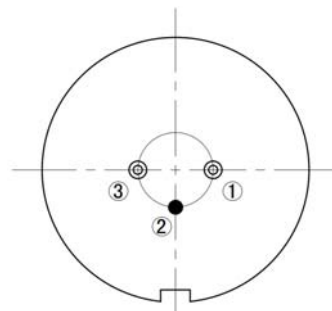
808nm~810nm 2W Laser Diodes | TO5 9mm Package| Square Beam Optional
808nm 2W High Power LD with FAC Optional | Linear Beam Optional | Built-in PD Optional
RWSLD-808-002-2

808nm Laser Diode		2W/TO5	
Reverse Voltage	V_r	2.0	V
Operating Temperature	T_{op}	0~+40	°C
Storage Temperature	T_{stg}	-40~+85	°C
Lead soldering temperature (10 sec.)	T_{is}	260	°C
Features: <ul style="list-style-type: none"> ● 808nm ● 2W Output Power ● TO5 Package ● Square Beam Optional ● Photodiode Optional 			
Applications: <ul style="list-style-type: none"> ● Medical Laser Treatment ● Laser Indicator ● Others 			
Specifications		RWSLD-808-002-2	
		Min	Max
Center Wavelength@25°C		±3nm	±10nm
Spectral Width (FWHM)		2.5nm	----
Output Power		2W	----
Recommended Operating Temperature		25°C	
Beam Divergence (FWHM)		38° ± x 10° //	40° ± x 12° //
Temperature Coefficient of Wavelength		0.3nm / °C	----
Slope Efficiency		1.1W/A	----
Threshold Current (Typ.)		0.4A	
Operating Current (Typ.)		2.2A	
Operating Voltage		2.2V	
Package Style		TO5	
FAC Lens		Optional	

T05 Package View



PIN Bottom View:



1	LD(+)
2	GND
3	LD(-)

Electrically shorten LD module and store in non-extreme conditions.
Suggest using the constant current power supply.

