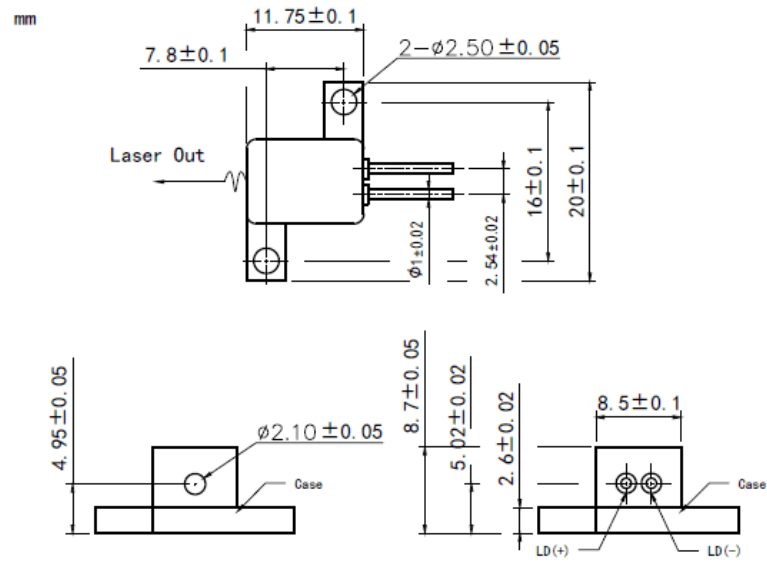


780nm~785nm 8W H-mount Laser Diode | Window Package LD | FAC Optional | Square Beam Optional
780nm Laser Diode| High Power LD| 8W Power| Hermetic Package
RWSLD-780-008-H

| 780nm Laser Diode | | 8W/H-mount | |
|--|-----------------|--|------|
| PARAMETER | SYMBOL | VALUE | UNIT |
| Reverse Voltage | V_r | 2.0 | V |
| Operating Temperature | T_{op} | +10~+30 | °C |
| Storage Temperature | T_{stg} | -20~ +80 | °C |
| Lead soldering temperature (10 sec.) | T_{is} | 260 | °C |
| Features: <ul style="list-style-type: none"> ● 780nm ● Multimode ● H-mount Package (Window Package) ● FAC Lens Optional | |  | |
| Applications: <ul style="list-style-type: none"> ● Medical Laser Treatment ● Sensing ● Others | | | |
| Specifications | RWSLD-780-008-H | | |
| | Min | Type | Max |
| Center Wavelength@25°C | 780nm ± 10nm | | |
| Spectral Width (FWHM) | | 2.0nm | |
| Output Power | ---- | 8W | ---- |
| Emitter Area | ---- | 200x1µm | ---- |
| Beam Divergence (FWHM) | ---- | 35° _⊥ x 8° _{//} | ---- |
| Temperature Coefficient of Wavelength | ---- | 0.3nm / °C | ---- |
| Slope Efficiency | ---- | 1.2W/A | ---- |
| Threshold Current (Typ.) | ---- | 1.5A | ---- |
| Operating Current (Typ.) | ---- | 9.0A | ---- |
| Operating Voltage | ---- | 2.0V | ---- |
| Package Style | H-mount | | |
| Recommended Operating Temperature | 25°C | | |

H-mount Package View



**Electrically shorten LD module and store in non-extreme conditions.
Suggest using the constant current power supply.**

