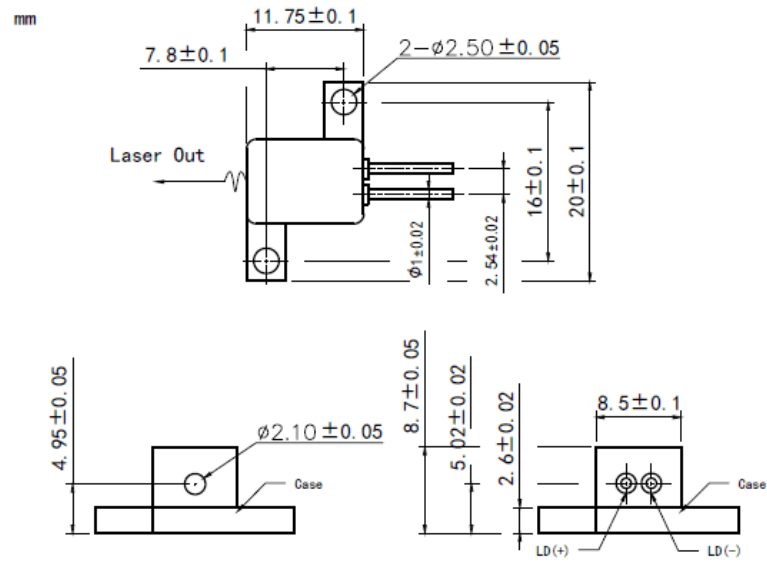


780nm~785nm 4W H-mount Laser Diode | Window Package LD | FAC Optional | Square Beam Optional
780nm Laser Diode| High Power LD| 4W Power| Hermetic Package
RWSLD-780-004-H

780nm Laser Diode		4W/H-mount		
PARAMETER	SYMBOL	VALUE	UNIT	
Reverse Voltage	V_r	2.0	V	
Operating Temperature	T_{op}	+10~+30	°C	
Storage Temperature	T_{stg}	-20~ +80	°C	
Lead soldering temperature (10 sec.)	T_{is}	260	°C	
Features: <ul style="list-style-type: none"> ● 780nm ● Multimode ● H-mount Package (Window Package) ● FAC Lens Optional 				
Applications: <ul style="list-style-type: none"> ● Medical Laser Treatment ● Sensing ● Others 				
Specifications		RWSLD-780-004-H		
		Min	Type	Max
Center Wavelength@25°C		780nm ± 10nm		
Spectral Width (FWHM)			2.0nm	
Output Power		----	4W	----
Emitter Area		----	150x1µm	----
Beam Divergence (FWHM)		----	35° _⊥ x 8° _{//}	----
Temperature Coefficient of Wavelength		----	0.3nm / °C	----
Slope Efficiency		----	1.0W/A	----
Threshold Current (Typ.)		----	1.2A	----
Operating Current (Typ.)		----	5.5A	----
Operating Voltage		----	2.0V	----
Package Style		H-mount		
Recommended Operating Temperature		25°C		

H-mount Package View



**Electrically shorten LD module and store in non-extreme conditions.
Suggest using the constant current power supply.**

