

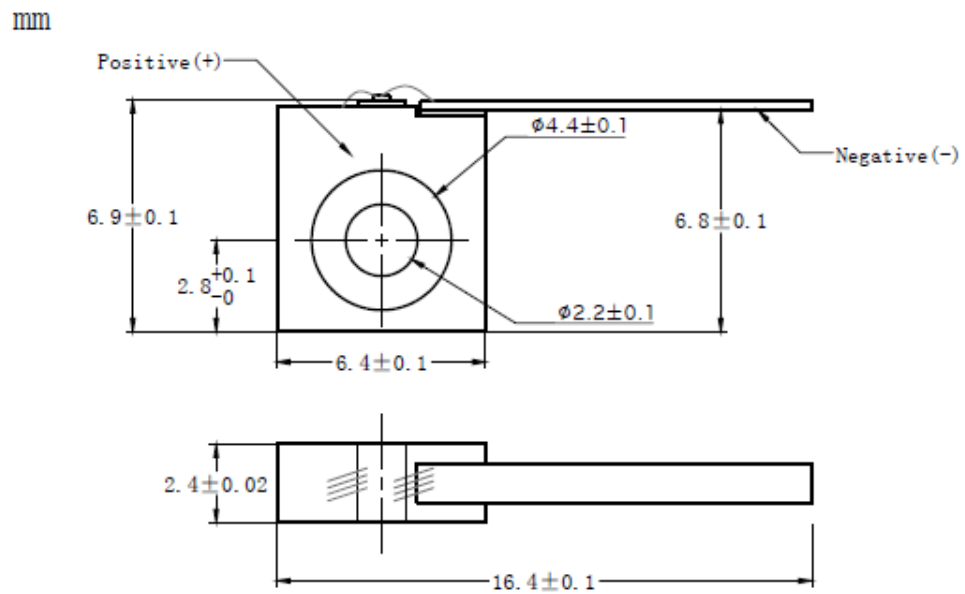
660nm 1.5W High Power Laser Diode| C-mount Package| High Power Red LD| FAC Optional

658nm~660nm 1.5W C-mount Diode Laser | Red Laser Diodes

RWSLD-660-1500m-C

660nm Laser Diode		1.5W/C-mount	
PARAMETER	SYMBOL	VALUE	UNIT
Reverse Voltage	V_r	2.0	V
Operating Temperature	T_{op}	+10~+30	°C
Storage Temperature	T_{stg}	-20~ +80	°C
Lead soldering temperature (10 sec.)	T_{is}	260	°C
Features: <ul style="list-style-type: none"> ● 660nm ● High Power ,CW, Multi-mode ● High Quality ● C-mount Package 			
Applications: <ul style="list-style-type: none"> ● Medical Laser Treatment ● Laser Indicator ● Laser Detector 			
Specifications		RWSLD-660-1500m-C	
		Min	Type
Center Wavelength@25°C		660nm ± 10nm	
Spectral Width (FWHM)			2nm
Output Power			1.5W
Emitter Area			100x1μm
Beam Divergence (FWHM)			35°_⊥ x 8°_{//}
Temperature Coefficient of Wavelength			0.2nm / °C
Slope Efficiency			1.2W/A
Threshold Current (Typ.)			0.4A
Operating Current (Typ.)			1.8A
Operating Voltage			2.5V
Package Style		C-mount	
Recommended Operation Temp		25°C	

C-mount Package View:



Electrically shorten LD module and store in non-extreme conditions.

Suggest using the constant current power supply.

