

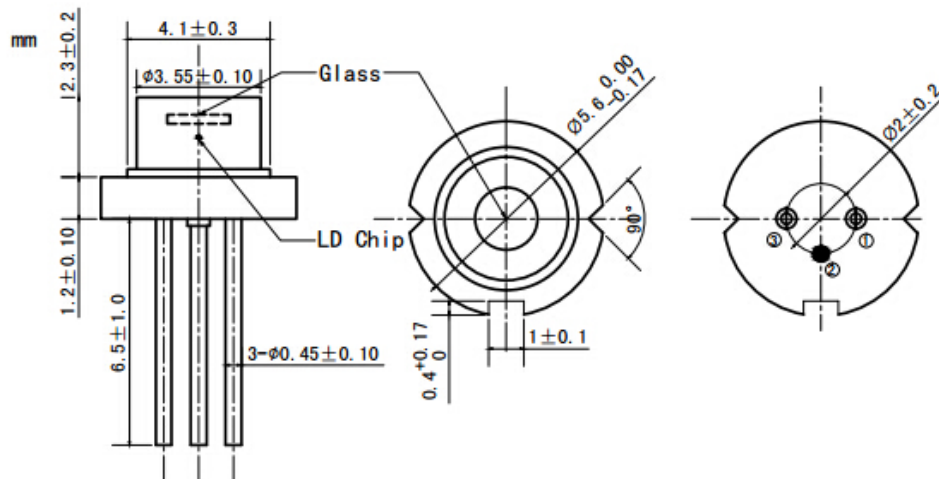
635nm~638nm 700mW~750mW Laser Diode 5.6mm TO18 Package | High power Red Laser Diode

635nm 5.6mm Package|700mw| Red LD | Without PD

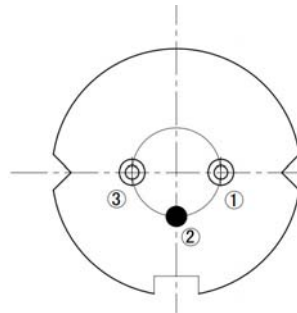
RWSLD-635-700m-1

635nm Laser Diode		700mW		
PARAMETER	SYMBOL	VALUE	UNIT	
Reverse Voltage	$V_r$	2.0	V	
Operating Temperature	$T_{op}$	-10~+40	°C	
Storage Temperature	$T_{stg}$	-40 ~ +85	°C	
Lead soldering temperature (10 sec.)	$T_{is}$	260	°C	
<b>Features:</b> <ul style="list-style-type: none"> <li>● 638nm</li> <li>● 700mW</li> <li>● CW Mode</li> <li>● TO18 package</li> </ul>				
<b>Applications:</b> <ul style="list-style-type: none"> <li>● Medical Laser Treatment</li> <li>● Laser Indicator</li> <li>● Others</li> </ul>				
<b>Specifications</b>		<b>RWSLD-635-700m-1</b>		
		Min	Type	Max
Center Wavelength@25°C		630nm	638nm	645nm
Spectral Width (FWHM)		----	2.0nm	----
Output Power		----	700mW	----
Recommended Operating Temperature		25°C		
Beam Divergence (FWHM)		$23^\circ \pm 1 \times 2^\circ //$	$35^\circ \pm 1 \times 7.5^\circ //$	$45^\circ \pm 1 \times 20^\circ //$
Slope Efficiency		----	1.0mW/mA	----
Threshold Current (Typ.)		----	180mA	250mA
Operating Current (Typ.)		----	850mA	950mA
Operating Voltage		----	2.3V	2.7V
Package Style		TO18 (5.6mm)		

**TO18(5.6mm) Package View**



**PIN Bottom View:**



1	LD(+)
2	GND
3	LD(-)

Electrically shorten LD module and store in non-extreme conditions.  
Suggest using the constant current power supply.

