

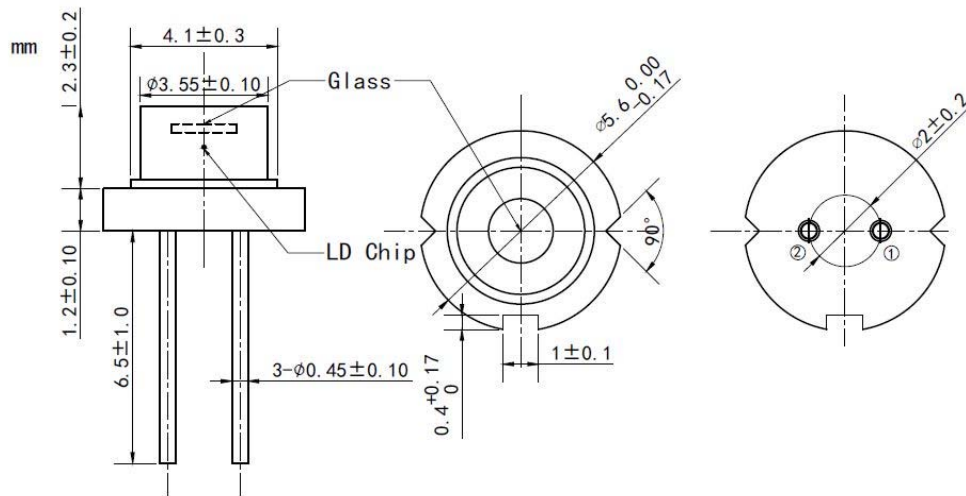
515nm~520nm 300mW Laser Diode| High power Green LD | TO18 Package

520nm LD| 300mW Power|5.6mm Package Green diode laser

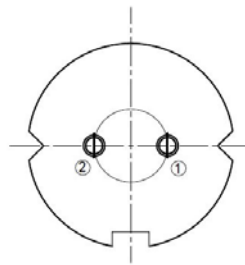
RWSLD-520-300m-1

520nm Laser Diode		300mW/TO18	
PARAMETER	SYMBOL	VALUE	UNIT
Reverse Voltage	$V_r$	2.0	V
Operating Temperature	$T_{op}$	0 ~ +60	°C
Storage Temperature	$T_{stg}$	-40 ~ +85	°C
Lead soldering temperature (10 sec.)	$T_{is}$	260	°C
<b>Features:</b> <ul style="list-style-type: none"> <li>● 520nm</li> <li>● 300mW</li> <li>● 5.6mm Package</li> </ul>			
<b>Applications:</b> <ul style="list-style-type: none"> <li>● Medical Laser Treatment</li> <li>● Laser Indicator</li> <li>● Laser Detector</li> </ul>			
<b>Specifications</b>		<b>RWSLD-520-300m-1</b>	
		Min	Type
Center Wavelength@25°C		510nm	520nm
Spectral Width (FWHM)		2.0nm	
Output Power		----	300mW
Laser mode		Multimode	
Beam Divergence (FWHM)		$16^\circ \pm x 3^\circ //$	$22^\circ \pm x 7^\circ //$
Threshold Current (Typ.)		----	120mA
Operating Current (Typ.)		----	520mA
Operating Voltage		----	5.5V
Package Style		TO18	

**TO18 (5.6mm) Package View**



**PIN Bottom View**



1	LD(+)
2	LD(-)

Electrically shorten LD module and store in non-extreme conditions.  
Suggest using the constant current power supply.

