
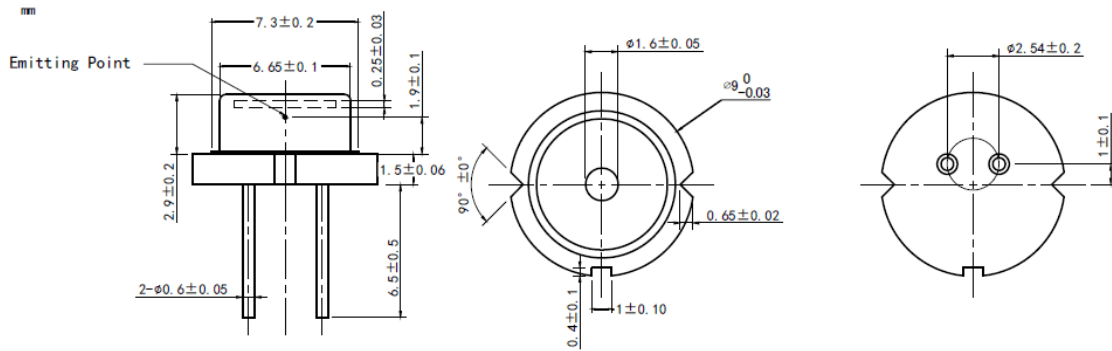


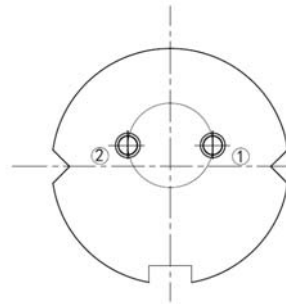
**515nm~520nm 1.5W Laser Diode | High Power LD 9mm Package | Green Laser Diode  
520nm LD | 1.5W Power | 9mm TO5 Package | Used for Medical Cure, Laser Show  
RWSLD-520-1500m-2**

520nm Laser Diode		1.5W/TO5	
PARAMETER	SYMBOL	VALUE	UNIT
Forward Current	I <sub>f</sub>	2.0	A
Operating Temperature	T <sub>op</sub>	0~ +60	°C
Storage Temperature	T <sub>stg</sub>	-40~ +85	°C
Lead soldering temperature (10 sec.)	T <sub>is</sub>	260	°C
<b>Features:</b> <ul style="list-style-type: none"> <li>● 520nm</li> <li>● 1.5W Output Power</li> <li>● TO5 (9mm) Package</li> <li>● Long lifetime</li> </ul>			
<b>Applications:</b> <ul style="list-style-type: none"> <li>● Medical Laser Treatment</li> <li>● Laser Show</li> <li>● Others</li> </ul>			
<b>Specifications</b>	<b>RWSLD-520-1500m-2</b>		
	Min	Type	Max
Center Wavelength@25°C	510nm	520nm	535nm
Spectral Width (FWHM)	3.0nm		
Output Power	1.3W	1.5W	----
Recommended Operating Temperature	25°C		
Beam Divergence	----	45°± x 12° //	----
Monitor Current	----		
Slope Efficiency	----	0.8W/A	----
Threshold Current (Typ.)	----	0.2A	0.5A
Operating Current (Typ.)	----	2.1A	2.3A
Operating Voltage	----	5.0V	6.0V
Package Style	9mm		

**Package View:**



**PIN Bottom View:**



1	LD(+)
2	LD(-)

Electrically shorten LD module and store in non-extreme conditions.  
Suggest using the constant current power supply.

