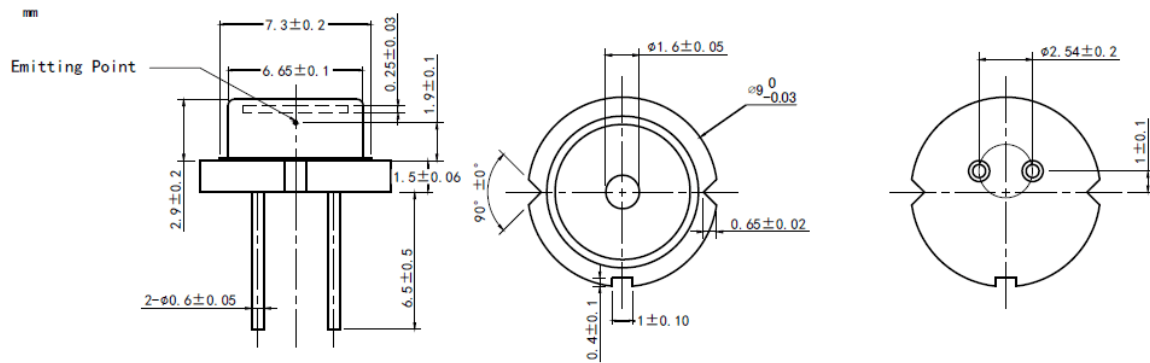


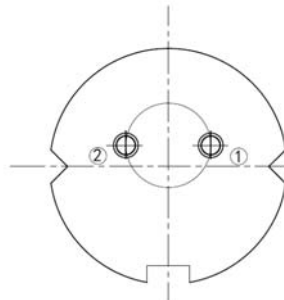
515nm~520nm 1.5W Laser Diode with FAC Lens | High Power Green LD with Linear Beam | TO5 Diode Laser
520nm 1.3W~1.5W LD| 9mm TO5 Package | Used for Medical Cure, Laser Show
RWSLD-520-1500m-2-FAC

520nm Laser Diode		1.5W/TO5		
PARAMETER	SYMBOL	VALUE		UNIT
Forward Current	I _f	2.0		A
Operating Temperature	T _{op}	0~ +60		°C
Storage Temperature	T _{stg}	-40~ +85		°C
Lead soldering temperature (10 sec.)	T _{is}	260		°C
Features: <ul style="list-style-type: none"> 520nm 1.5W Output Power TO5 (9mm) Package With FAC Lens 				
Applications: <ul style="list-style-type: none"> Medical Laser Treatment Laser Show Others 				
Specifications		RWSLD-520-1500m-2-FAC		
		Min	Type	Max
Center Wavelength@25°C		510nm	520nm	535nm
Spectral Width (FWHM)		3.0nm		
Output Power		1.3W	1.5W	----
Recommended Operating Temperature		25°C		
Beam	Beam Divergence (FWHM)	----	1° _⊥ x 10° _{//}	----
	Beam Shape	Linear Shape Beam		
Square Shape Beam(10° _⊥ x 10° _{//})		Optional		
Slope Efficiency		----	0.8W/A	----
Threshold Current (Typ.)		----	0.2A	0.5A
Operating Current (Typ.)		----	2.1A	2.3A
Operating Voltage		----	5.0V	6.0V
Package Style		TO5 (9mm)		
FAC Lens		Built-in		

Package View



PIN Bottom View:



1	LD(+)
2	LD(-)

Electrically shorten LD module and store in non-extreme conditions.
Suggest using the constant current power supply.

