
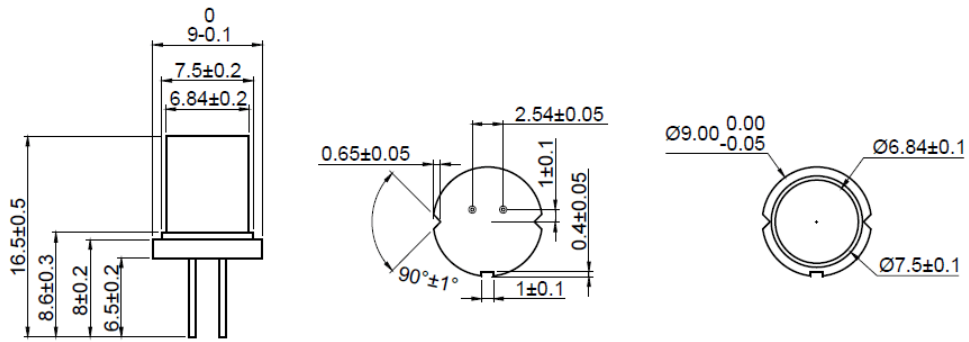


465nm 3W Collimated Laser Diode High Power LD| 3W Output Power| Collimation Beam
460nm~470nm TO5 Package Laser Diode| Small Compact Package| Blue Diode Laser
RWSLD-465-003-K

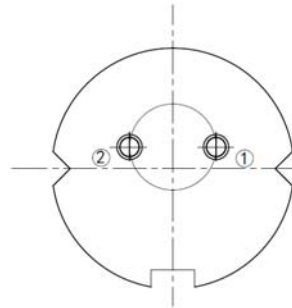
465nm Collimated Laser Diode 3W/TO5			
PARAMETER	SYMBOL	VALUE	UNIT
Reverse Voltage	V_r	2.0	V
Operating Temperature	T_{op}	0 ~ +60	°C
Storage Temperature	T_{stg}	-40 ~ +85	°C
Lead soldering temperature (10 sec.)	T_{is}	260	°C
Features: <ul style="list-style-type: none"> 🔸 465nm 🔸 Collimated Laser Beam 🔸 Small Compact Package 🔸 Excellent Beam Quality 🔸 Built-in PD Optional 🔸 Built-in TEC Cooling Optional 			
Specifications		RWSLD-465-003-K	
		Min	Type
		Max	
Center Wavelength@25°C		455nm	465nm
		475nm	
Output Power (CW Mode)		----	3W
		----	----
Spatial Mode		Multi-mode	
Lens Type		Aspheric Lens (with AR Coating)	
Beam Shape		Elliptical	
Beam Divergence (Full Angle)	Parallel ($\theta //$)	0.2°	0.4°
	Perpendicular ($\theta \perp$)	-1.0°	0.1°
		1.0°	
Recommend Operating Temperature		25 °C	
Threshold Current (Typ.)		----	0.4A
		0.7A	
Operating Current (Typ.)		----	2.5A
		3.0A	
Operating Voltage		4.5V	5.5V
Package		TO5(9mm)	

Package Drawing:

mm



PIN Bottom View:



1	LD(+)
2	LD(-)

Electrically shorten LD module and store in non-extreme conditions.
Suggest using the constant current power supply.

