
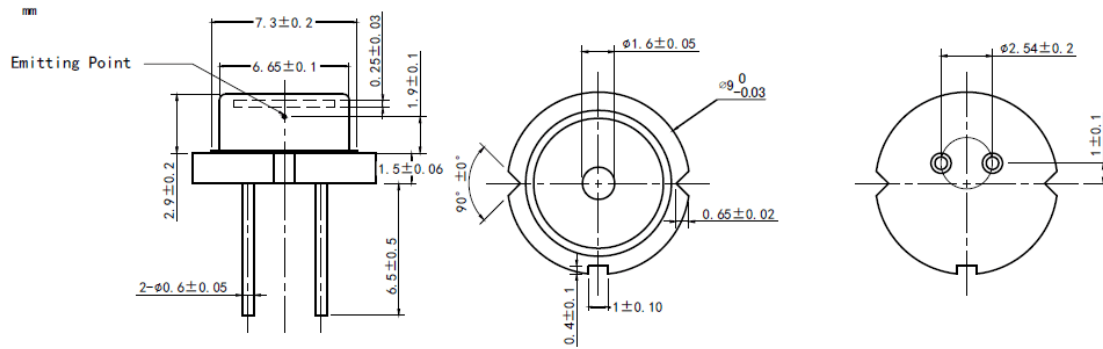


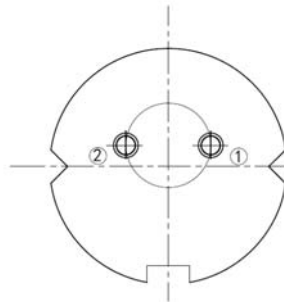
460nm~465nm 3W TO5 Laser Diode with Square Beam | TO5 9mm Package |Blue Laser Diode
465nm LD| 3W Output Power | 9mm TO5 Package | With FAC Lens
RWSLD-465-003-2-FAC

465nm Laser Diode		3W/TO5		
PARAMETER	SYMBOL	VALUE		UNIT
Reverse Voltage	V_r	2.0		V
Operating Temperature	T_{op}	0~+60		°C
Storage Temperature	T_{stg}	-40~+85		°C
Lead soldering temperature (10 sec.)	T_{is}	260		°C
Features: <ul style="list-style-type: none"> 465nm 3W Output Power TO5 Package With FAC Lens 				
Applications: <ul style="list-style-type: none"> Medical Laser Treatment Laser Show Others 				
Specifications		RWSLD-465-003-2-FAC		
		Min	Type	Max
Center Wavelength@25°C		465nm±10nm		
Spectral Width (FWHM)		3.0nm		
Output Power		2.5W	3W	----
Recommended Operating Temperature		25°C		
Beam	Beam Divergence (FWHM)	----	10°± x 10°//	13°± x 13°//
	Beam Shape	Square Beam (1:1)		
Linear Shape Beam(2°± x 10°//,1:5)		Optional		
Slope Efficiency		----	1.5W/A	----
Threshold Current (Typ.)		----	0.4A	0.7A
Operating Current (Typ.)		----	2.5A	3.0A
Operating Voltage		----	4.5V	5.5V
Package Style		TO5 (9mm)		

Package View



PIN Bottom View:



1	LD(+)
3	LD(-)

Electrically shorten LD module and store in non-extreme conditions.
Suggest using the constant current power supply.

