

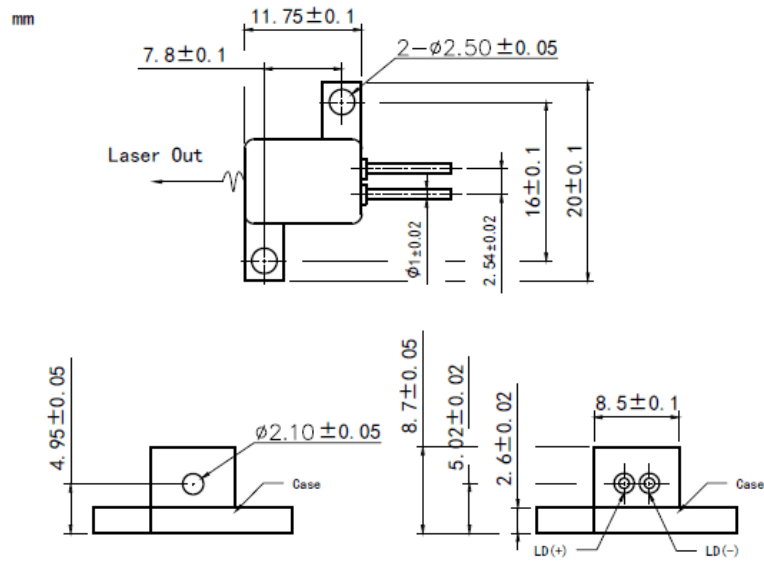
1550nm 2W~2.5W H-mount Laser Diode | Window Package | FAC Optional | Square Beam Optional

1550nm~1560nm 2.5W Laser Diode| High Power LD| 2.5W Output Power| Hermetic Package

RWSLD-1550-2500m-H

1550nm Laser Diode		2.5W/H-mount	
PARAMETER	SYMBOL	VALUE	UNIT
Reverse Voltage	V_r	2.0	V
Operating Temperature	T_{op}	+10~+30	°C
Storage Temperature	T_{stg}	-20~+80	°C
Lead soldering temperature (10 sec.)	T_{is}	260	°C
Features: <ul style="list-style-type: none"> ● 1550nm ● Multi-mode ● H-mount Package (Window Package) ● FAC Lens Optional 			
Applications: <ul style="list-style-type: none"> ● Medical Laser Treatment ● Sensing ● Others 			
Specifications		RWSLD-1550-2500m-H	
		Min	Type
Center Wavelength@25°C		1550nm±30nm	
Spectral Width (FWHM)			15.0nm
Output Power		2W	2.5W
Emitter Area		----	100x1μm
Beam Divergence (FWHM)		----	35°_⊥ x 10°_{//}
Temperature Coefficient of Wavelength		----	0.7nm / °C
Slope Efficiency		----	0.3W/A
Threshold Current (Typ.)		----	0.5A
Operating Current (Typ.)		----	8.0A
Operating Voltage		----	2.0V
Package Style		H-mount	
Recommended Operating Temperature		25°C	

H-mount Package View



**Electrically shorten LD module and store in non-extreme conditions.
Suggest using the constant current power supply.**

