
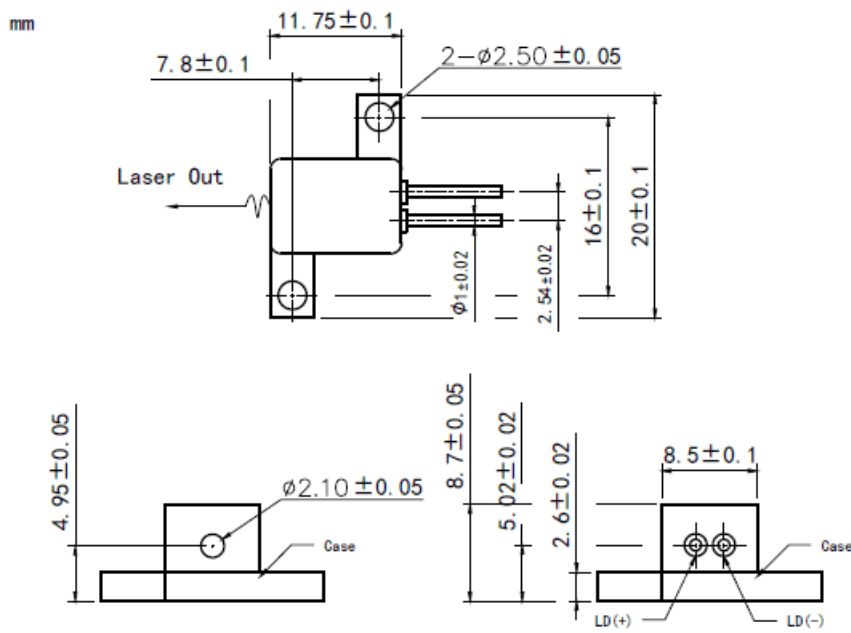


1470nm 3W Laser Diode with H-mount Package | Window Package | Square Beam Optional
1470nm 3W High Power LD | Hermetic Package |Infrared Laser Diode | FAC Optional
RWSLD-1470-003-H

1470nm Laser Diode		3W/H-mount	
Reverse Voltage	V_r	2.0	V
Operating Temperature	T_{op}	+10~+30	°C
Storage Temperature	T_{stg}	-20~+80	°C
Lead soldering temperature (10 sec.)	T_{is}	260	°C
Features: <ul style="list-style-type: none"> 🔸 1470nm 🔸 3W Output Power 🔸 H-mount Package (Window Package) 			
Applications: <ul style="list-style-type: none"> 🔸 Medical Laser Treatment 🔸 Others 			
Specifications	RWSLD-1470-003-H		
	Min	Type	Max
Center Wavelength@25°C	1470nm±30nm		
Spectral Width (FWHM)	----	10.0nm	----
Output Power	2.5W	3W	----
Emitter Area	----	100x1μm	----
Beam Divergence	----	30° _⊥ x 10° _{//}	----
Temperature Coefficient of Wavelength	----	0.7nm / °C	----
Slope Efficiency	----	0.3W/A	----
Threshold Current (Typ.)	----	0.5A	----
Operating Current (Typ.)	----	10.0A	----
Operating Voltage	----	2.0V	----
Package Style	H-mount		
Recommended Operating Temperature	25°C		

H-mount Package View



**Electrically shorten LD module and store in non-extreme conditions.
Suggest using the constant current power supply.**

