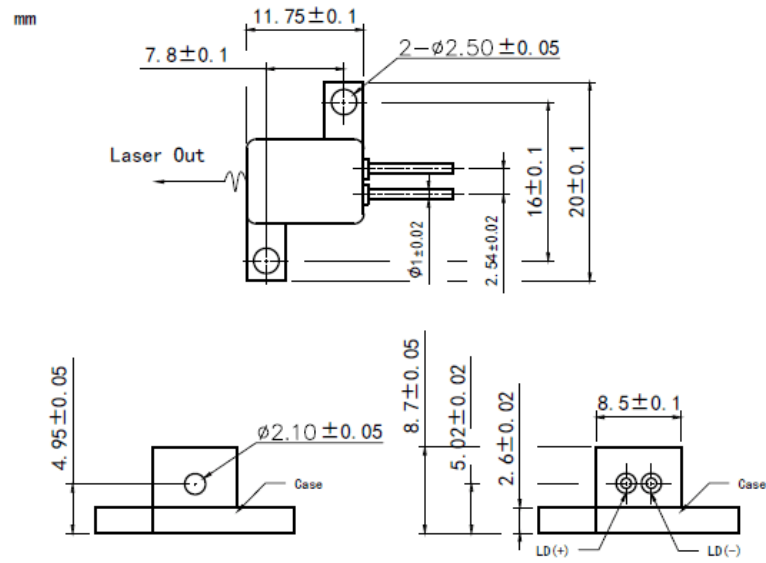


**1060nm~1064nm 10W H-mount Laser Diode | Window Package | FAC Optional | Square Beam Optional**  
**1064nm Laser Diode| High Power LD| 10W Power| H-mount Package | Hermetic Package**  
**RWSLD-1064-010-H**

1064nm Laser Diode		10W/H-mount	
PARAMETER	SYMBOL	VALUE	UNIT
Reverse Voltage	$V_r$	2.0	V
Operating Temperature	$T_{op}$	+10~+30	°C
Storage Temperature	$T_{stg}$	-20~ +80	°C
Lead soldering temperature (10 sec.)	$T_{is}$	260	°C
<b>Features:</b> <ul style="list-style-type: none"> <li>● 1064nm</li> <li>● Multimode</li> <li>● H-mount Package (Window Package)</li> <li>● FAC Lens Optional</li> </ul>			
<b>Applications:</b> <ul style="list-style-type: none"> <li>● Medical Laser Treatment</li> <li>● Laser Pumping</li> <li>● Others</li> </ul>			
<b>Specifications</b>		<b>RWSLD-1064-010-H</b>	
		<b>Min</b>	<b>Type</b>
<b>Center Wavelength@25°C</b>		<b>1064nm ± 20nm</b>	
<b>Spectral Width (FWHM)</b>			<b>4.0nm</b>
<b>Output Power</b>		----	<b>10W</b>
<b>Emitter Area</b>		----	<b>100x1µm</b>
<b>Beam Divergence (FWHM)</b>		----	<b>30°<sub>⊥</sub> x 8°<sub>//</sub></b>
<b>Slope Efficiency</b>		----	<b>0.95W/A</b>
<b>Threshold Current (Typ.)</b>		----	<b>0.5A</b>
<b>Operating Current (Typ.)</b>		----	<b>11.5A</b>
<b>Operating Voltage</b>		----	<b>1.8V</b>
<b>Package Style</b>		<b>H-mount</b>	
<b>Recommended Operating Temperature</b>		<b>25°C</b>	

## H-mount Package View



**Electrically shorten LD module and store in non-extreme conditions.  
Suggest using the constant current power supply.**

