

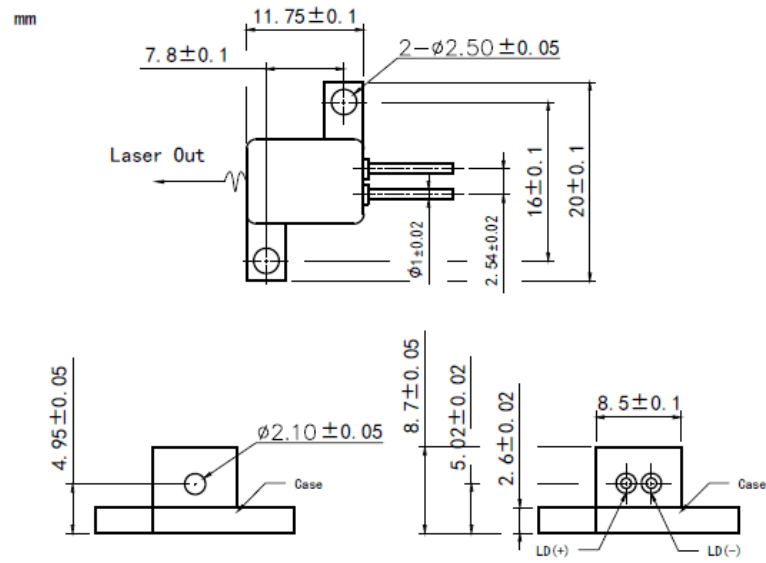
1060nm~1064nm 8W H-mount Laser Diode | Window Package | FAC Optional | Square Beam Optional

1064nm Laser Diode | High Power LD | 8W Power | H-mount Package | Hermetic Package

RWSLD-1064-008-H

1064nm Laser Diode		8W/H-mount	
PARAMETER	SYMBOL	VALUE	UNIT
Reverse Voltage	V_r	2.0	V
Operating Temperature	T_{op}	+10~+30	°C
Storage Temperature	T_{stg}	-20~ +80	°C
Lead soldering temperature (10 sec.)	T_{is}	260	°C
Features: <ul style="list-style-type: none"> • 1064nm • Multimode • H-mount Package (Window Package) • FAC Lens Optional 			
Applications: <ul style="list-style-type: none"> • Medical Laser Treatment • Laser Pumping • Others 			
Specifications		RWSLD-1064-008-H	
		Min	Type
Center Wavelength@25°C		1064nm ± 20nm	
Spectral Width (FWHM)			4.0nm
Output Power		----	8W
Emitter Area		----	100x1µm
Beam Divergence (FWHM)		----	30°_⊥ x 8°_{//}
Slope Efficiency		----	0.9W/A
Threshold Current (Typ.)		----	0.5A
Operating Current (Typ.)		----	10.5A
Operating Voltage		----	1.7V
Package Style		H-mount	
Recommended Operating Temperature		25°C	

H-mount Package View



**Electrically shorten LD module and store in non-extreme conditions.
Suggest using the constant current power supply.**

