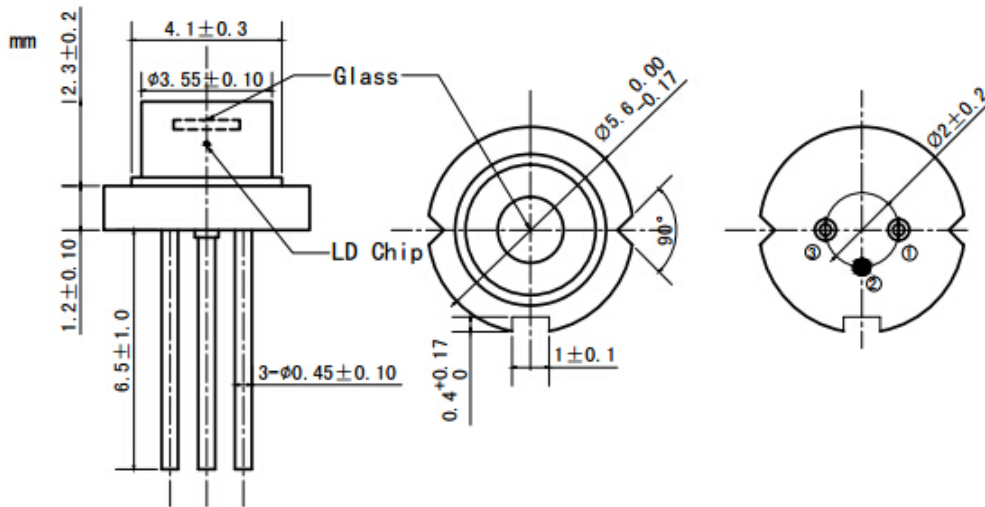


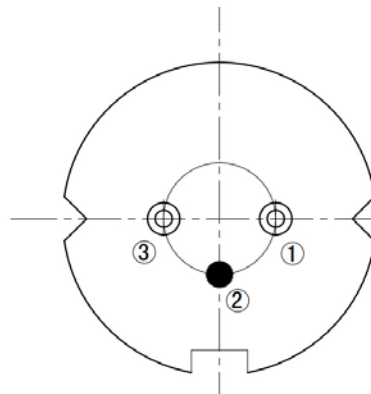
980nm 50mW Laser Diode With TO18 | Built-in PD
976nm~980nm Single Mode LD with 5.6mm TO18 Package
RWLD-980-050m-1-PD

980nm Laser Diode		50mW/TO18	
Reverse Voltage	V_r	2.0	V
Operating Temperature	T_{op}	-10~+40	°C
Storage Temperature	T_{stg}	-40~+85	°C
Lead soldering temperature (10 sec.)	T_{is}	260	°C
Features: <ul style="list-style-type: none"> ● 980nm ● CW ● Built-in PD ● Single Mode LD ● TO18 Package 			
Applications: <ul style="list-style-type: none"> ● Medical Laser Treatment ● Laser Indicator ● Laser Detector 			
Specifications		RWLD-980-050m-1-PD	
		Min	Type
Center Wavelength@25°C		±5nm	976nm
Spectral Width (FWHM)		----	2.0nm
Output Power		----	50mW
Recommended Operating Temperature		25°C	
Beam Divergence (FWHM)		----	35° _⊥ x 15° _{//}
Temperature Coefficient of Wavelength		----	0.3nm / °C
Slope Efficiency		----	0.8mW/mA
Threshold Current (Typ.)		----	15mA
Operating Current (Typ.)		----	75mA
Operating Voltage		----	1.6V
Monitor Current		----	0.3mA
Package Style		TO18	

TO18 Package View



Pin Out View



1	LD(-)
2	LD(+)&PD(-)
3	PD(+)

