
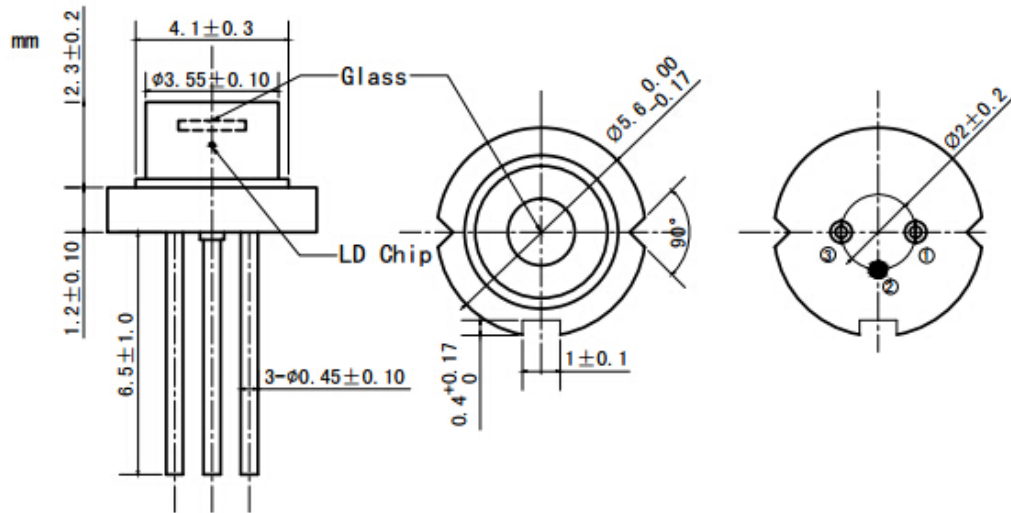


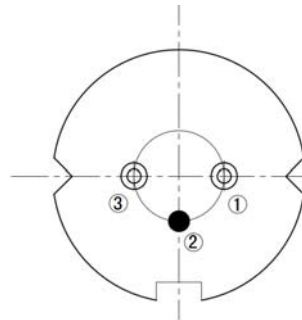
780nm~785nm 100mW Single Mode LD| SM Laser Diode|5.6mm TO18 Package
785nm SM Infrared Laser Diodes |Single Mode LD | Built-in Photodiode
RWLD-785-100m-1-PD-R

785nm Laser Diode PD 100mW/TO18			
Reverse Voltage	V_r	2.0	V
Operating Temperature	T_{op}	-20~+60	°C
Storage Temperature	T_{stg}	-40~+85	°C
Lead soldering temperature (5 sec.)	T_{is}	260	°C
Features: <ul style="list-style-type: none"> ● 785nm ● Single Mode LD ● Built-in PD ● TO18 Package 			
Applications: <ul style="list-style-type: none"> ● Medical Laser Treatment ● Laser Indicator ● Laser Detector 			
Specifications	RWLD-785-100m-1-PD-R		
	Min	Type	Max
Center Wavelength@25°C	775nm	785nm	800nm
Spectral Width (FWHM)	2.0nm		
Output Power (CW)	100mW		
Recommend Operating Temperature	25°C		
Beam mode	Single Transverse Mode		
Beam Divergence (FWHM)	$35^{\circ} \pm x 5^{\circ} //$	$36^{\circ} \pm x 9^{\circ} //$	$42^{\circ} \pm x 12^{\circ} //$
Monitor Current		0.2mA	
Slope Efficiency		0.9mW/mA	
Threshold Current (Typ.)		30mA	60mA
Operating Current (Typ.)		140mA	160mA
Operating Voltage		2.0V	2.4V
Package Style	TO18		
Photodiode	Built-in		

TO18(5.6mm) Package View



PIN Bottom View:



1	LD(+)
2	LD(-) & PD(+)
3	PD(-)

Electrically shorten LD module and store in non-extreme conditions.

Suggest using the constant current power supply.

