


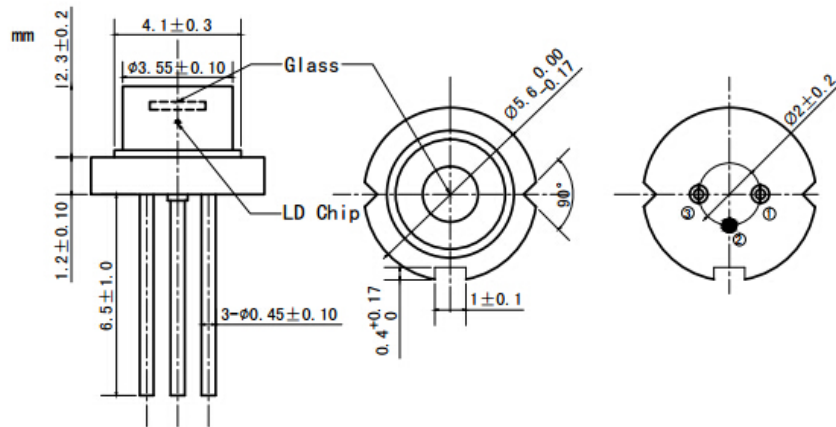
635nm 50mw Single Mode SM Laser Diode | With Photodiode

635nm~638nm SM LD|50mW Power|5.6mm Package | Red Laser Diode With PD

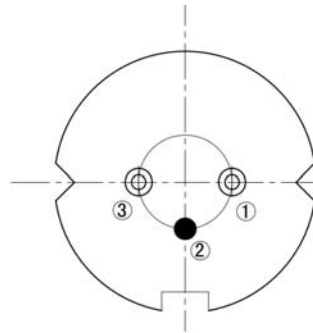
RWLD-635-050m-1-PD

635nm Laser Diode SM 50mW/TO18			
PARAMETER	SYMBOL	VALUE	UNIT
Reverse Voltage	V_r	2.0	V
Operating Temperature	T_{op}	-10~+50	°C
Storage Temperature	T_{stg}	-40~+85	°C
Lead soldering temperature (10 sec.)	T_{is}	260	°C
Features: <ul style="list-style-type: none"> • 638nm • CW Mode • Built-in PD • Single Transverse Mode • TO18 Package 			
Applications: <ul style="list-style-type: none"> • Medical Laser Treatment • Laser Indicator • Laser Detector 			
Specifications		RWLD-635-050m-1-PD	
		Min	Type
Center Wavelength@25°C		630nm	638nm
Spectral Width (FWHM)		----	2.0nm
Output Power		40mW	50mW
Recommended Operating Temperature		25°C	
Beam Divergence (FWHM)		$15^\circ \pm x 6^\circ //$	$22^\circ \pm x 10^\circ //$
Monitor Current		----	0.2mA
PD Reverse Voltage		----	30V
Threshold Current (Typ.)		----	40mA
Operating Current (Typ.)		----	90mA
Operating Voltage		----	2.4V
Package Style		TO18	

Package View



Pin Out



PIN 1	LD(-)
PIN 2	LD(+) & PD(-), CASE
PIN 3	PD(+)

Electrically shorten LD module and store in non-extreme conditions.

Suggest using the constant current power supply.

