
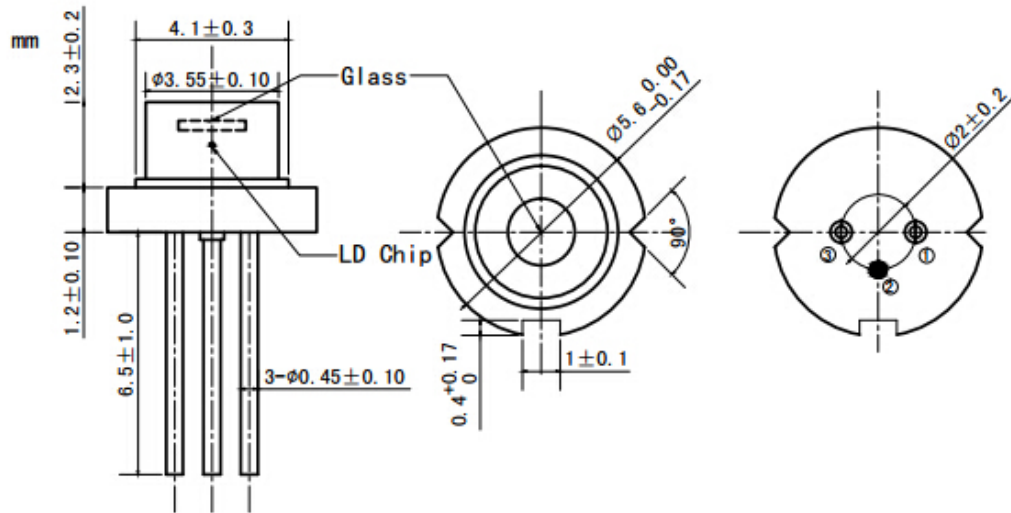


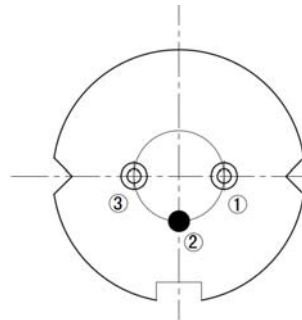
515nm~520nm 80mW Laser Diode| Single mode Green LD | With Photodiode
520nm SM LD| 80mW Power| TO18 Package Green diode laser With PD
RWLD-520-080m-1-PD

520nm Laser Diode		80mW/TO18	
PARAMETER	SYMBOL	VALUE	UNIT
Reverse Voltage	V_r	2.0	V
Operating Temperature	T_{op}	-20~+60	°C
Storage Temperature	T_{stg}	-40~+85	°C
Lead soldering temperature (10 sec.)	T_{is}	260	°C
Features: <ul style="list-style-type: none"> ● 520nm ● 80mW ● Single Mode Beam ● TO18 Package ● Built-in Photodiode 			
Applications: <ul style="list-style-type: none"> ● Medical Laser Treatment ● Laser Indicator ● Laser Detector 			
Specifications		RWLD-520-080m-1-PD	
		Min	Type
Center Wavelength@25°C		510nm	520nm
Spectral Width (FWHM)		2.0nm	
Output Power		----	80mW
Recommended Operating Temperature		25°C	
Beam Divergence (FWHM)		20° ± x 5° //	22° ± x 8° //
Monitor Current		----	0.3mA
Threshold Current (Typ.)		----	55mA
Operating Current (Typ.)		----	160mA
Operating Voltage		----	7.0V
Package Style		TO18	

TO18(5.6mm) Package View



PIN Bottom View:



1	LD(-)
2	LD(+)&PD(-)
3	PD(+)

Electrically shorten LD module and store in non-extreme conditions.
Suggest using the constant current power supply.

