


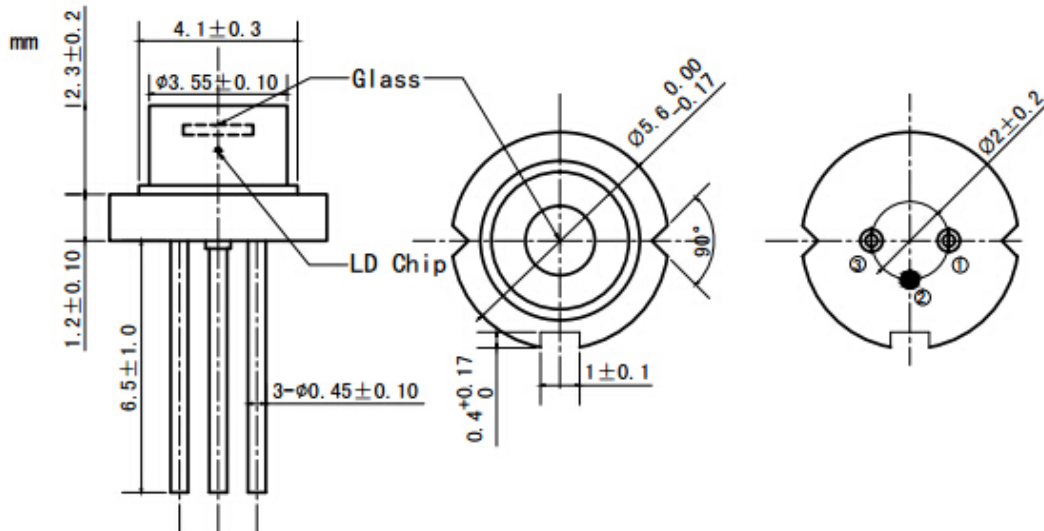
488nm~490nm 80mW Single Mode Laser Diode| High Power Sky Blue LD | TO18 Package

485nm~488nm~492nm LD| 80mW Power|5.6mm Package Blue SM Diode Laser

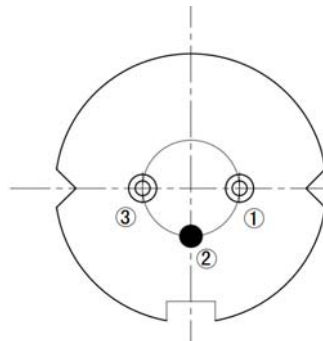
RWLD-488-080m-1

488nm Laser Diode		80mW/TO18	
PARAMETER	SYMBOL	VALUE	UNIT
Reverse Voltage	V_r	2.0	V
Operating Temperature	T_{op}	-10~+60	°C
Storage Temperature	T_{stg}	-40~+85	°C
Lead soldering temperature (10 sec.)	T_{is}	260	°C
Features: <ul style="list-style-type: none"> 488nm 80mW TO18 Package 			
Applications: <ul style="list-style-type: none"> Medical Laser Treatment Laser Indicator Laser Detector 			
Specifications	RWLD-488-080m-1		
	Min	Type	Max
Center Wavelength@25°C	488nm±10nm		
Spectral Width (FWHM)	2.0nm		
Output Power	----	80mW	----
Laser Mode	Single Mode		
Beam Divergence (FWHM)	----	24°± x 8°//	26°± x 12°//
Threshold Current (Typ.)	----	30mA	65mA
Operating Current (Typ.)	----	130mA	150mA
Operating Voltage	----	6.5V	8.0V
Recommended Operating Temperature	25°C		
Package Style	TO18		

PIN Bottom View:



PIN Bottom View:



1	LD(+)
2	GND
3	LD(-)

Electrically shorten LD module and store in non-extreme conditions.

Suggest using the constant current power supply.

