


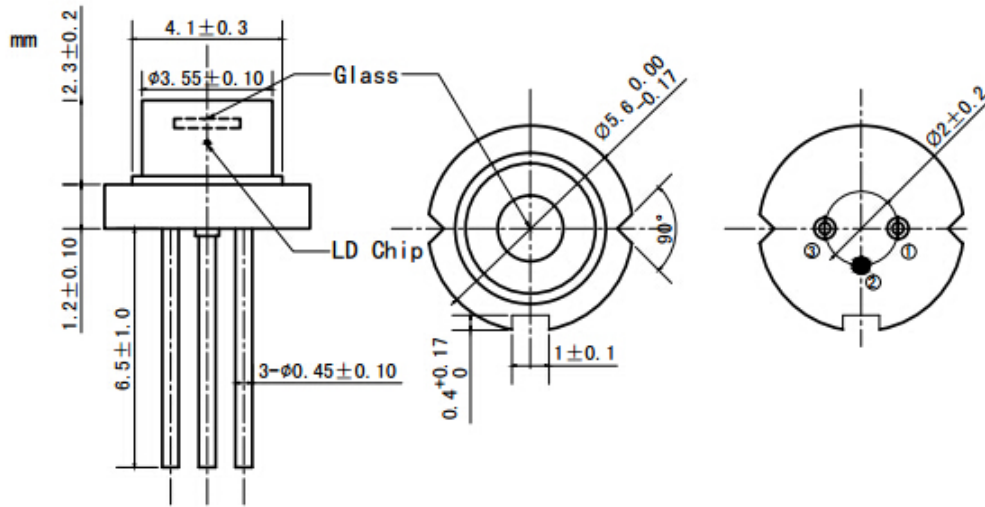
450nm 100mW Laser Diode| Single mode LD With TO18 Package

445nm~450nm 100mW SM LD| 100mW Output Power | Blue Laser Diode | Single Mode Beam

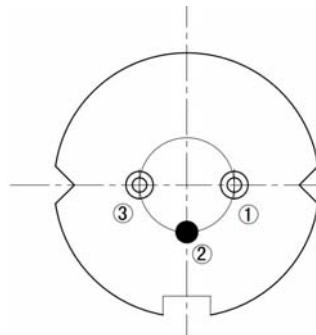
RWLD-445-100m-1

445nm Laser Diode		100mW/TO18	
PARAMETER	SYMBOL	VALUE	UNIT
Reverse Voltage	V_r	2.0	V
Operating Temperature	T_{op}	-10 ~ +70	°C
Storage Temperature	T_{stg}	-40 ~ +85	°C
Lead soldering temperature (10 sec.)	T_{is}	260	°C
Features: <ul style="list-style-type: none"> 445nm 100mW Output Power Single Mode Beam 			
Applications: <ul style="list-style-type: none"> Medical Laser Treatment Laser Indicator Laser Detector 			
Specifications		RWLD-445-100m-1	
		Min	Type
Center Wavelength@25°C		440nm	450nm
Spectral Width (FWHM)		2.0nm	
Output Power		----	100mW
Emitter		Single	
Beam Divergence (FWHM)		----	25° ± x 10° //
Recommended Operating Temperature		25°C	
Slope Efficiency		----	1.0mW/mA
Threshold Current (Typ.)		----	25mA
Operating Current (Typ.)		----	140mA
Operating Voltage		----	6.0V
Package Style		TO18	

TO18 Package :



PIN Bottom View:



1	LD(+)
2	GND
3	LD(-)

Electrically shorten LD module and store in non-extreme conditions.

Suggest using the constant current power supply.

