


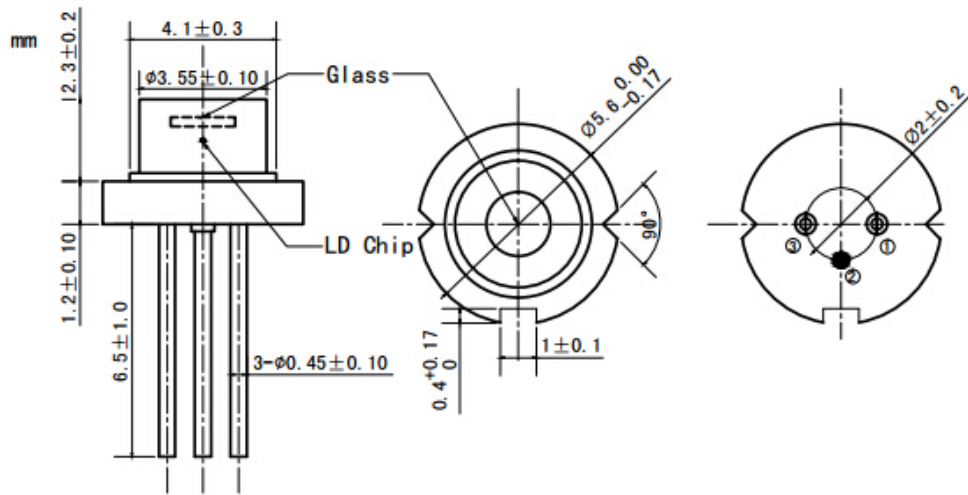
405nm 300mW Single Mode Laser Diode | SM LD |Violet LD |5.6mm Package

405nm LD |300mW Power|TO18 Package

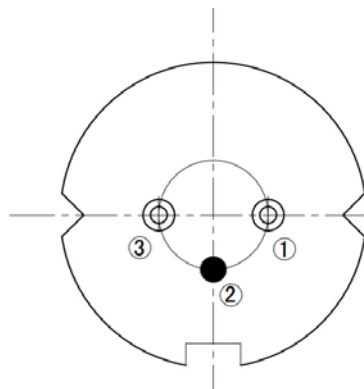
RWLD-405-300m-1

405nm Laser Diode		300mW/TO18		
PARAMETER	SYMBOL	VALUE	UNIT	
Reverse Voltage	V_r	5.0	V	
Operating Temperature	T_{op}	0 ~ +70	°C	
Storage Temperature	T_{stg}	-40 ~ +85	°C	
Lead soldering temperature (10 sec.)	T_{is}	260	°C	
Features: <ul style="list-style-type: none"> 405nm 300mW Output Power Single Mode Beam TO18 Package 				
Applications: <ul style="list-style-type: none"> Medical Laser Treatment Printing Others 				
Specifications		RWLD-405-300m-1		
		Min	Type	Max
Center Wavelength@25°C		±5nm	405nm	±10nm
Spectral Width (FWHM)		2.0nm		
Output Power		----	300mW	----
Recommended Operating Temperature		25°C		
Beam Divergence (FWHM)		----	24°± x 10°//	----
Slope Efficiency		----	1.7mW/mA	----
Threshold Current (Typ.)		----	30mA	55mA
Operating Current (Typ.)		----	220mA	240mA
Operating Voltage		----	5.5V	6.5V
Package Style		TO18(5.6mm)		

TO18 Package View



PIN Bottom View:



1	LD(+)
2	GND
3	LD(-)

Electrically shorten LD module and store in non-extreme conditions.
Suggest using the constant current power supply.

