

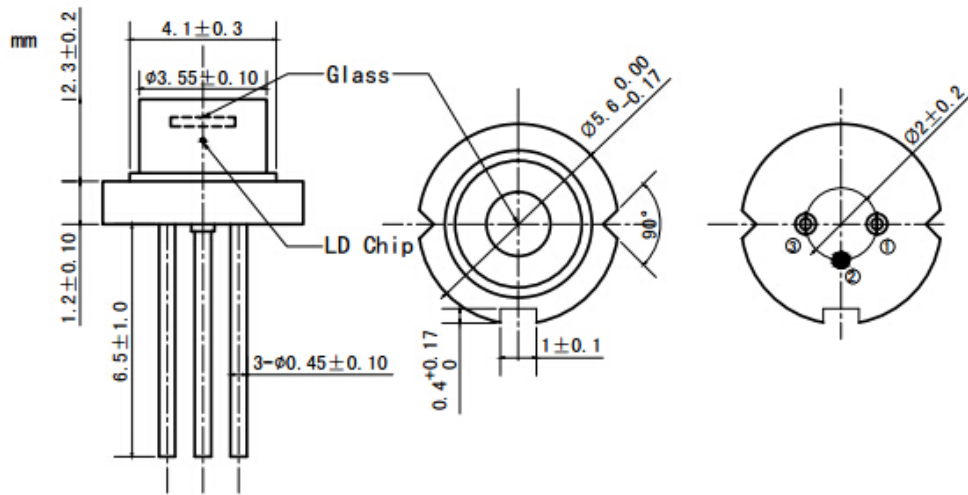
405nm 100mW~120mW Single Mode Laser Diode | SM LD |Violet LD |5.6mm Package

405nm LD |120mW Output Power|TO18 Package | Without PD

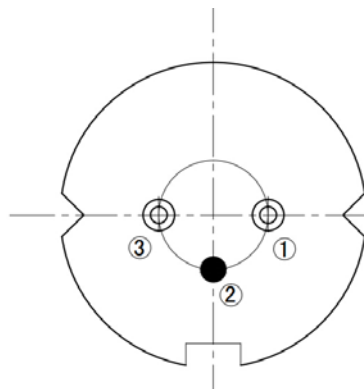
RWLD-405-120m-1

405nm Laser Diode		120mW/TO18		
PARAMETER	SYMBOL	VALUE	UNIT	
Reverse Voltage	V_r	2.0	V	
Operating Temperature	T_{op}	-10~+70	°C	
Storage Temperature	T_{stg}	-40~+85	°C	
Lead soldering temperature (10 sec.)	T_{is}	260	°C	
Features: <ul style="list-style-type: none"> ● 405nm ● Single Mode Beam ● TO18 Package 				
Applications: <ul style="list-style-type: none"> ● Medical Laser Treatment ● Printing ● Others 				
Specifications		RWLD-405-120m-1		
		Min	Type	Max
Center Wavelength@25°C		±5nm	405nm	±10nm
Spectral Width (FWHM)		2.0nm		
Output Power		100mW	120mW	----
Emitter		Single		
Recommended Operating Temperature		25°C		
Beam Divergence (FWHM)		$15^\circ \pm 1 \times 5^\circ //$	$19.5^\circ \pm 1 \times 9^\circ //$	$24^\circ \pm 1 \times 12^\circ //$
Slope Efficiency		----	1.7mW/mA	----
Threshold Current (Typ.)		----	40mA	70mA
Operating Current (Typ.)		----	110mA	130mA
Operating Voltage		----	5.0V	6.0V
Package Style		TO18(5.6mm)		

TO18 Package View



PIN Bottom View:



1	LD(+)
2	GND
3	LD(-)

Electrically shorten LD module and store in non-extreme conditions.
Suggest using the constant current power supply.

