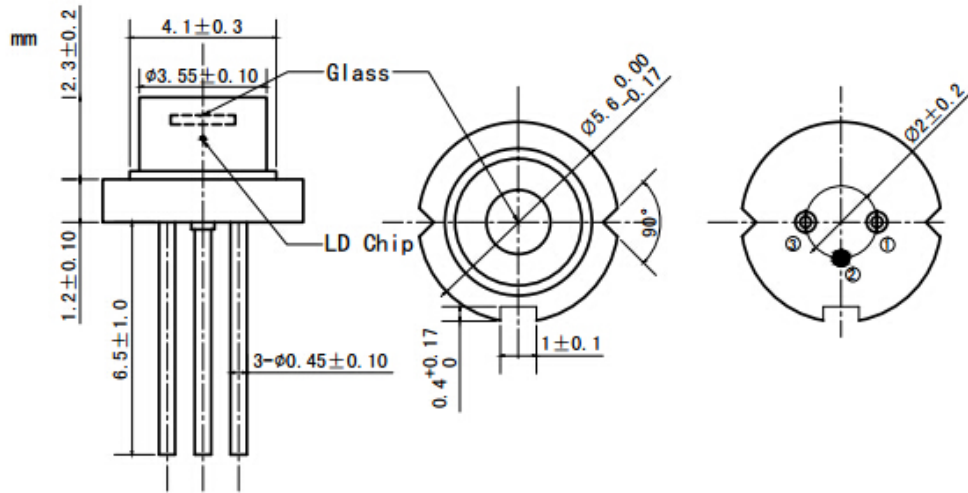


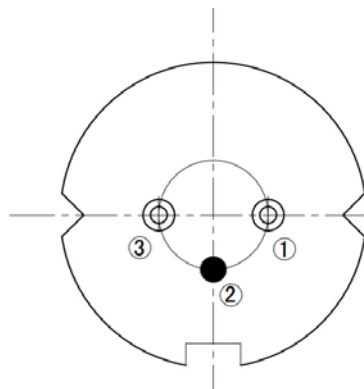
405nm 120mW Single Mode Laser Diode with Photodiode | SM LD |Violet LD |5.6mm Package| Built-in PD
405nm LD |100mW~120mW Output Power|TO18 Package | With Photodiode
RWLD-405-120m-1-PD

405nm Laser Diode		120mW/TO18	
PARAMETER	SYMBOL	VALUE	UNIT
Reverse Voltage	V_r	2.0	V
Operating Temperature	T_{op}	-10~+70	°C
Storage Temperature	T_{stg}	-40~+85	°C
Lead soldering temperature (10 sec.)	T_{is}	260	°C
Features: <ul style="list-style-type: none"> ● 405nm ● Single Mode Beam ● Built-in PD ● TO18 Package 			
Applications: <ul style="list-style-type: none"> ● Medical Laser Treatment ● Printing ● Others 			
Specifications	RWLD-405-120m-1-PD		
	Min	Type	Max
Center Wavelength@25°C	±5nm	405nm	±10nm
Spectral Width (FWHM)	2.0nm		
Output Power	100mW	120mW	----
Emitter	Single		
Beam Divergence (FWHM)	$15^\circ \pm x 5^\circ //$	$19.5^\circ \pm x 9^\circ //$	$24^\circ \pm x 12^\circ //$
Monitor Current		0.3mA	
PD Reverse Voltage			30V
Recommended Operating Temperature	25°C		
Slope Efficiency	----	1.7mW/mA	----
Threshold Current (Typ.)	----	40mA	70mA
Operating Current (Typ.)	----	110mA	130mA
Operating Voltage	----	5.0V	6.0V
Package Style	TO18(5.6mm)		

TO18 Package View



PIN Bottom View:



1	LD(-)
2	LD(+) & PD(-)
3	PD(+)

Electrically shorten LD module and store in non-extreme conditions.
Suggest using the constant current power supply.

