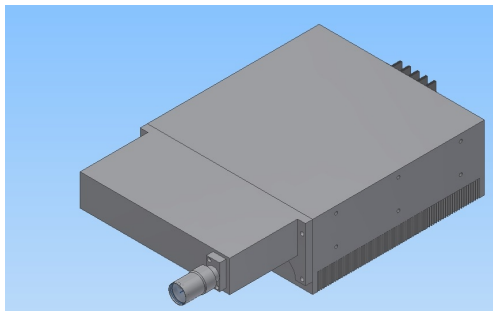


**C-Wedge HB 3 $\mu$ m 1kHz - Preliminary Spec. #: WHB20501**  
**High Peak Power Diode Pumped Solid State Laser**



**FEATURES**

- \_ Pulse energy > 50  $\mu$ J
- \_ Short pulse duration
- \_ Q-Switching: up to 1 kHz
- \_ All Solid State Design
- \_ Air Cooled

Technical Specifications	Typical	
Wavelength	3000 – 3300 (fixed within the range)	nm
Pulse energy	> 50	$\mu$ J
Pulsewidth	< 3	ns
Peak Power	> 15	kW
Repetition Rate	Single shot to 1	kHz
Polarization	Linear 100:1	
Beam diameter	< 2 (without beam expander)	mm
Beam divergence (FA @ 1/e <sup>2</sup> )	< 10 (without beam expander)	mrad
Electrical Requirements	DC Power Supply 8 V; 15 V (*)	
Cooling	Air Cooled	
Mechanical Dimensions	38 × 25 × 10	cm <sup>3</sup>
Weight	< 20	kg

(\*) Optional: 100-230 AC DC Power Supply

Options Available:	Applications:
- Beam Expanding and Collimating optics - Water Cooling	- LIDAR - Non-linear spectroscopy - LIBS



All information included in this document is subject to change without notice.

Update data sheets can be provided after formal request.

For complete details, please contact your local **Bright Solutions** sales representative or visit our website at [www.brightsolutions.it](http://www.brightsolutions.it)

**Bright Solutions Srl**  
Via Artigiani, 27  
27010 Cura Carpignano - PV  
Italy  
Ph. +39 0382583094  
e-mail: [sales@brightsolutions.it](mailto:sales@brightsolutions.it)