

# Multi-Wavelength Detachable Diode Laser

## RPKA250D150F006G050MH



### Features:

- ◆ Multiple wavelength
- ◆ Multiple function
- ◆ 200μm fiber detachable

### Applications:

- ◆ Medical Use

Specifications(25 °C)		Symbol	Unit	RPKA250D150F006G050MH		
				Minimum	Typical	Maximum
<b>808</b> <sup>(1)</sup>	CW Output Power	P <sub>o</sub>	W	25	-	-
	Center Wavelength	λ <sub>c</sub>	nm	808±10		
	Operating Current	I <sub>op</sub>	A	-	-	9
	Threshold Current	I <sub>th</sub>	A	-	0.8	-
	Operating Voltage	V <sub>op</sub>	V	-	-	8
<b>980</b> <sup>(1)</sup>	CW Output Power	P <sub>o</sub>	W	15	-	-
	Center Wavelength	λ <sub>c</sub>	nm	980±10		
	Operating Current	I <sub>op</sub>	A	-	-	13.5
	Threshold Current	I <sub>th</sub>	A	-	1	-
	Operating Voltage	V <sub>op</sub>	V	-	-	4
<b>635</b> <sup>(1)</sup>	CW Output Power	P <sub>o</sub>	W	0.6	-	-
	Center Wavelength	λ <sub>c</sub>	nm	635±10		
	Operating Current	I <sub>op</sub>	A	-	-	0.8
	Threshold Current	I <sub>th</sub>	A	-	0.2	-
	Operating Voltage	V <sub>op</sub>	V	-	-	5.2
<b>450</b> <sup>(1)</sup>	CW Output Power	P <sub>o</sub>	W	5	-	-
	Center Wavelength	λ <sub>c</sub>	nm	450±10		
	Operating Current	I <sub>op</sub>	A	-	-	3
	Threshold Current	I <sub>th</sub>	A	-	-	0.35
	Operating Voltage	V <sub>op</sub>	V	-	10	-
<b>Fiber Data</b>	Core Diameter	D <sub>core</sub>	μm	-	200	-
	Numerical Aperture	NA	-	-	0.22	-
	Fiber Connector	-	-	-	SMA905	-
<b>Thermistor</b>	-	R <sub>t</sub>	(K Ω)/β(25°C)	-	10±3%/3477	-
<b>PD</b>	-	PD	μA	10	-	-
<b>Other</b>	ESD	V <sub>esd</sub>	V	-	-	500
	Storage Temperature <sup>(2)</sup>	T <sub>st</sub>	°C	-20	-	70
	Operating Temperature <sup>(3)</sup>	T <sub>op</sub>	°C	15	-	35
	Relative Humidity	RH	%	15	-	75

(1) Data measured under operation temperature at 25°C

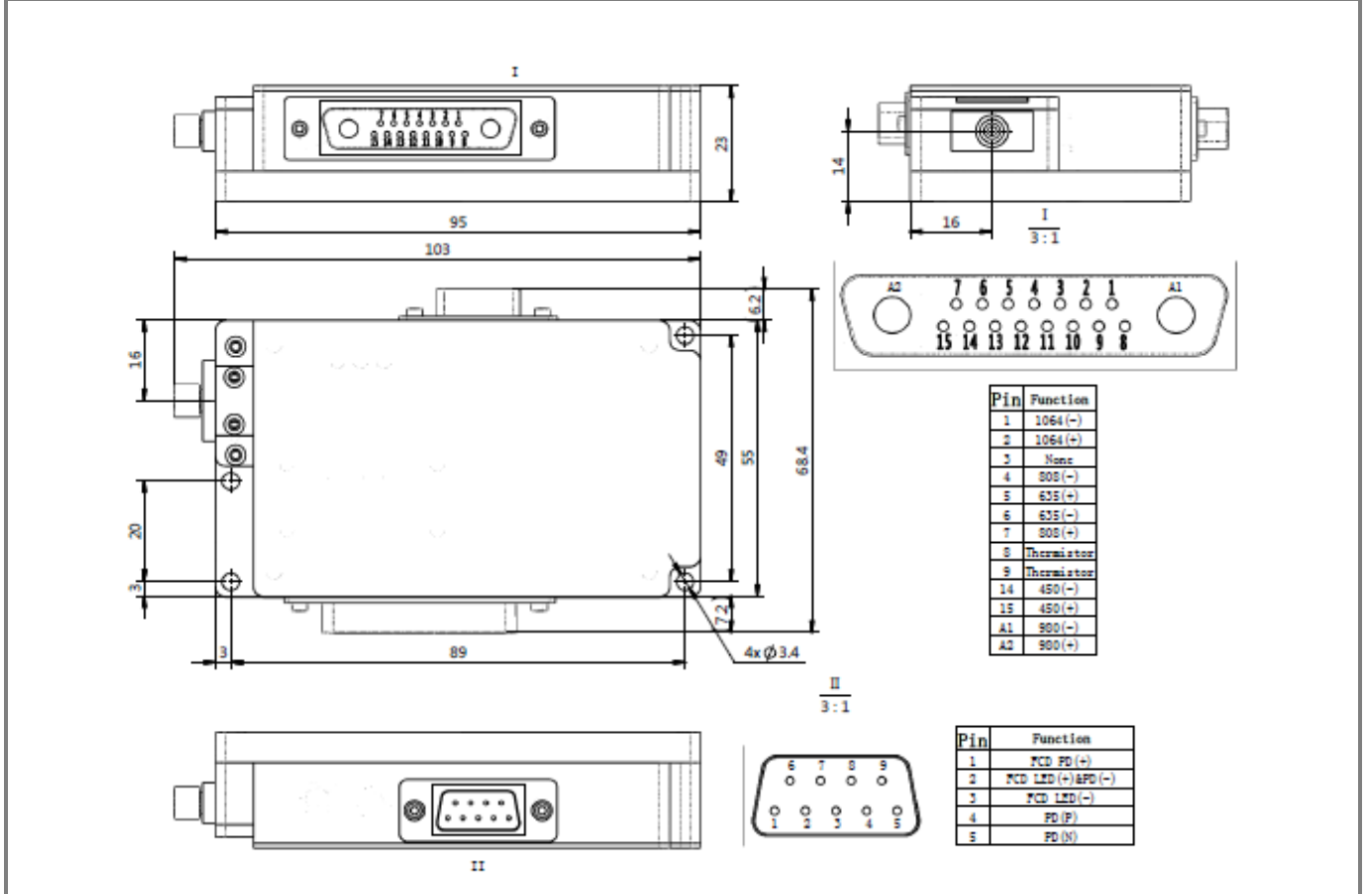
(2) A non-condensing environment is required for operation and storage.

(3) Operating temperature defined by the package case, Acceptable operating range is 15°C~35°C, but performance may vary.

# Multi-Wavelength Detachable Diode Laser

## RPKA250D150F006G050MH

### Package Dimensions (mm)



### OPERATING NOTES

- ◆ Avoid eye and skin exposure to direct radiation during operation.
- ◆ ESD precautions must be taken during storage, transportation and operation.
- ◆ Make sure the fiber output end and input end is properly cleaned before operation of laser. Follow safety protocols to avoid injury when handling and cutting the fiber.
- ◆ Use constant current power supply to avoid surge current during operation.
- ◆ Laser diode must be used according to the specifications.
- ◆ Laser diode must work with good cooling.
- ◆ Operation temperature ranges from 15°C to 35°C .
- ◆ Storage temperature ranges from -20°C to +70°C .

