



www.rpmclasers.com

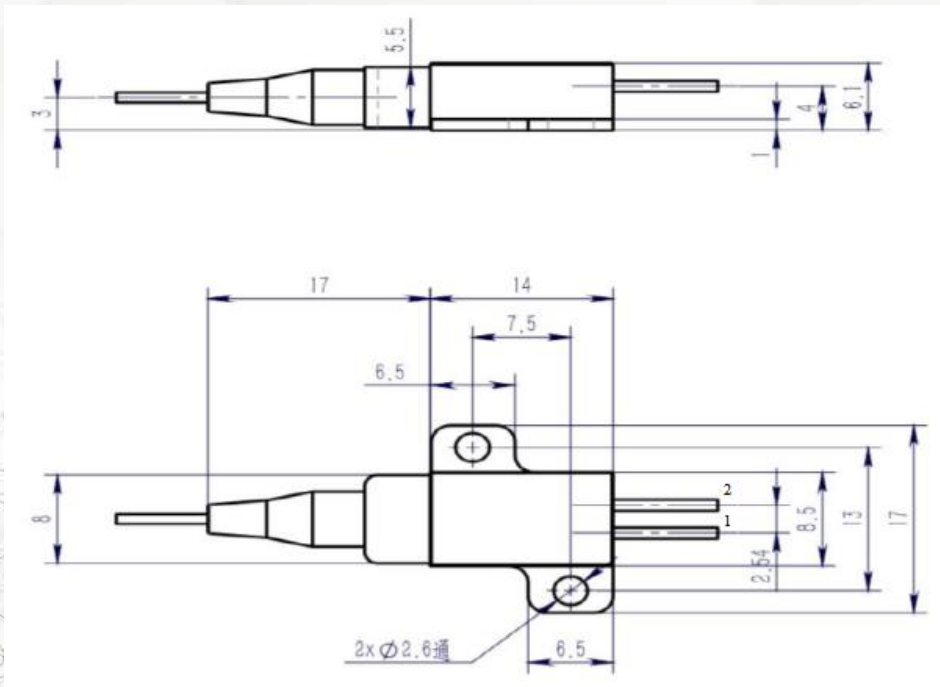
B2 940nm 10W LD Module Accelerated Aging Test

2020-5-20

RPMC Lasers, Inc.

8495 Veterans Memorial Pkwy • O'Fallon, MO 63366

➤➤➤ B2 Design



引脚 (Pin)	说明 (Function)
1	激光器(+) / LD (+)
2	激光器(-) / LD (-)



Accelerated Aging Test Results

- Product Model: RPK940-10.00W-10522-FF
- 105 μ m fiber core, 0.22NA
- 1040nm-1200nm feedback protection
- **Power change $\leq 3\%$ @ 6.0A, 86°C, 840hrs**

