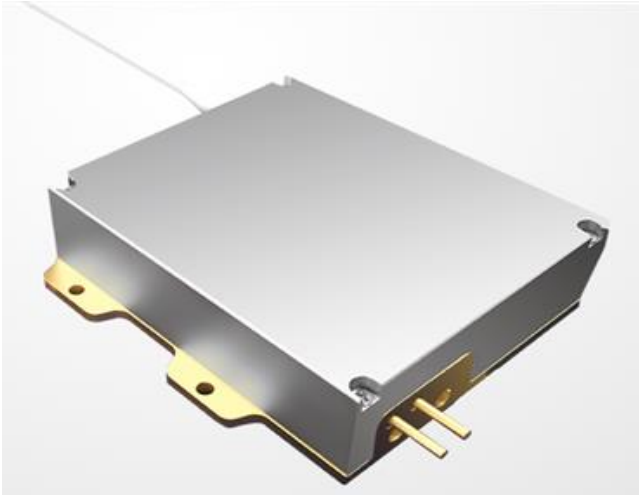


888nm 120W High Power Wavelength-Stabilized Fiber Coupled Diode Laser
RPK888S-120.0W-20022-SM



Features:

- ◆ 888nm Wavelength-Stabilized
- ◆ 120W output power
- ◆ 200 μ m fiber core diameter
- ◆ 0.22 NA

Applications:

- ◆ Solid-state laser pumping

High power diode laser modules are manufactured by adopting specialized fiber-coupling techniques, resulting in volume products with a high efficiency, stability and superior beam quality. The products are achieved by transforming the asymmetric radiation from the laser diode chip into an output fiber with small core diameter by using special micro optics. Inspecting and burn-in procedures in every aspect come to a result to guarantee each product with the reliability, stability and long lifetime.

Our research staffs are constantly improving and innovating the processing technology in the producing process, based on the professional knowledge and experience accumulated in long-terms. We are also continuously developing new products to meet customers' specific needs.

High quality products with reasonable price is our always goal.

888nm 120W High Power Wavelength-Stabilized Fiber Coupled Diode Laser
RPK888S-120.0W-20022-SM

Specifications(25°C)		Symbol	Unit	RPK888S-120.0W-20022-SM		
				Minimum	Typical	Maximum
Optical Data⁽¹⁾	CW Output Power	P _o	W	120	-	-
	Center Wavelength ⁽⁴⁾	λ _c	nm	888±1		
	Spectral Width (FWHM)	Δλ	nm	-	0.5	-
	Wavelength Shift with Temperature	Δλ/ΔT	nm/°C	-	0.03	-
Electrical Data	Electrical-to-Optical Efficiency	PE	%	-	46	-
	Threshold Current	I _{th}	A	-	1.7	-
	Operating Current	I _{op}	A	-	13	14.5
	Operating Voltage	V _{op}	V	-	20	21.5
	Slope Efficiency	η	W/A	-	10	-
Fiber Data	Core Diameter	D _{core}	μm	-	200	-
	Cladding Diameter	D _{clad}	μm	-	220	-
	Numerical Aperture	NA	NA	-	0.22	-
	Total Fiber Length	l _c	m	-	2	-
	Minimum Bending Radius	-	mm	88	-	-
	Fiber Termination	-	-	-	SMA905	-
Feedback Isolation	Wavelength Range	λ	nm	1020-1200		
	Isolation	-	dB	-	30	-
Others	ESD	-	V	-	-	500
	Storage Temperature ⁽²⁾	-	°C	-20	-	70
	Lead Soldering Temperature	T _{is}	°C	-	-	260
	Lead Soldering Time	T _{is}	sec	-	-	10
	Operating Temperature ⁽³⁾	T _{op}	°C	20	-	30
	Relative Humidity	-	%	15	-	75

(1) Data measured under operation output at 120W@25°C.

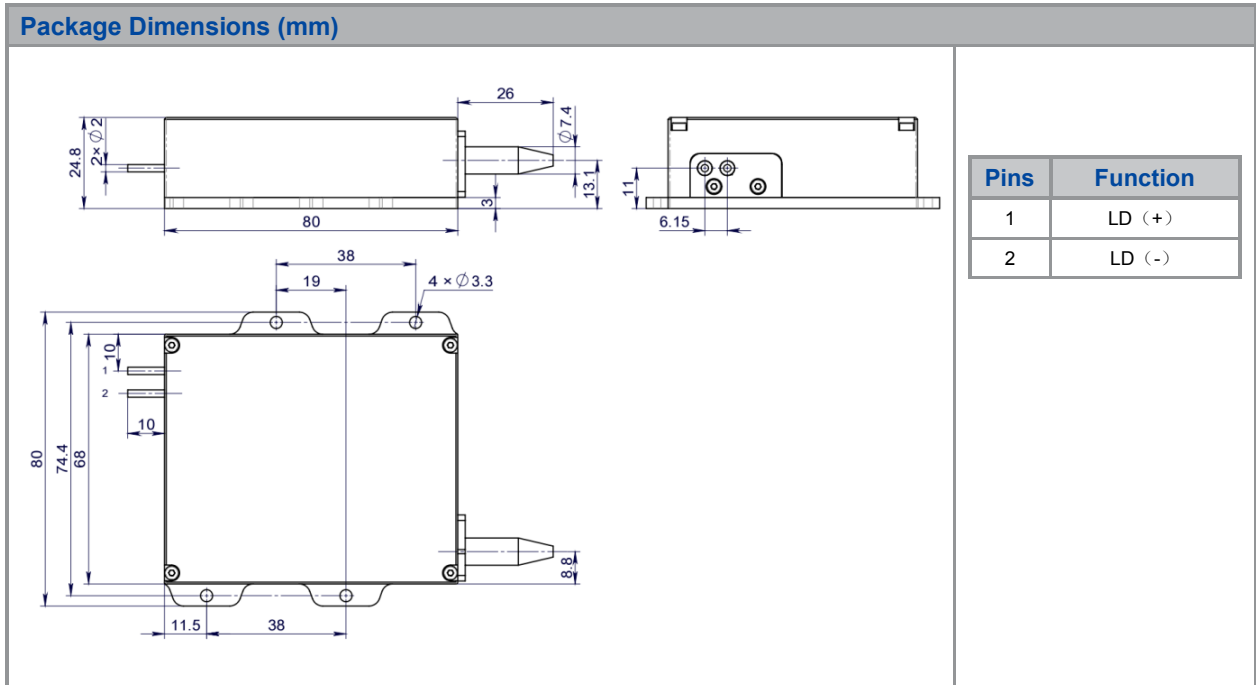
(2) A non-condensing environment is required for operation and storage.

(3) Operating temperature defined by the package case. Acceptable operating range is 20°C~30°C, but performance may vary.

(4) Wavelength stabilized to >90% power in band of 886.5nm to 889.5nm

888nm 120W High Power Wavelength-Stabilized Fiber Coupled Diode Laser

RPK888S-120.0W-20022-SM



OPERATING NOTES

- ◆ Avoid eye exposure to direct or scattered radiation.
- ◆ ESD precautions must be taken.
- ◆ Please connect pins to wires by solder instead of using socket when operation current is higher than 6A.
- ◆ Soldering point should be close to the root of the pins. Soldering temperature should be lower than 260°C and time shorter than 10 second.
- ◆ Use constant current power supply. Avoid surge current.
- ◆ Laser diode must be used according to the specifications.
- ◆ Laser diode must work with good cooling.
- ◆ Operation temperature is 20°C~30°C.
- ◆ Storage: -20°C~+70°C, all pins short-circuit.

