

HPOA-1

1 μm -Band High Power Optical Amplifier

Applications

- ▶ Airborne LIDAR
- ▶ Optical Tweezing
- ▶ Test & Measurement

Features

- ▶ High Output Power, up to 5W
- ▶ Compact Package (150 x 170 x 25 mm)
- ▶ Digital Control System



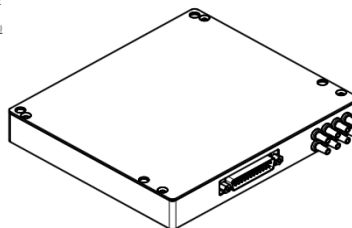
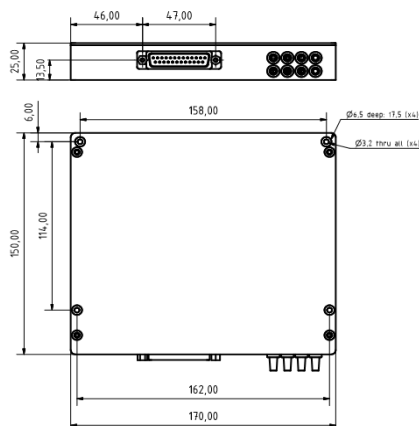
Parameter

Parameter Range

Parameter	Unit	Range
Wavelength	[nm]	1030 / 1053 / 1064 ... 1100
Output Power	[dBm]	Up to 37
Input Power Range	[dBm]	-10 ... +15
Noise Figure	[dB]	5.0
PDG	[dB]	0.5
PMD	[ps]	0.5
Optical Isolation	[dB]	30
Return Loss	[dB]	40
Fiber Termination / Connector		FC/APC, Collimator, others
Power Supply Voltage	[V]	+24
Power Consumption	[W]	<50
Operating Case Temperature	[°C]	0 ... +65
Communication Interface		RS232

Mechanical Dimensions

Ordering Information



Custom variants are available upon request, please contact our customer service to discuss your specification requirements.

Evaluation board available on request



Specifications are subject to change without notice