

CGOA-1.5

1550nm Compact High Power Optical Amplifier

Applications

- ▶ Long-Haul, Metro and Access Networks
- ▶ Single Channel Networks
- ▶ Test & Measurement

Features

- ▶ Compact package (45 x 70 x 15 mm)
- ▶ High Output Power, up to +30dBm
- ▶ Low Noise Figure



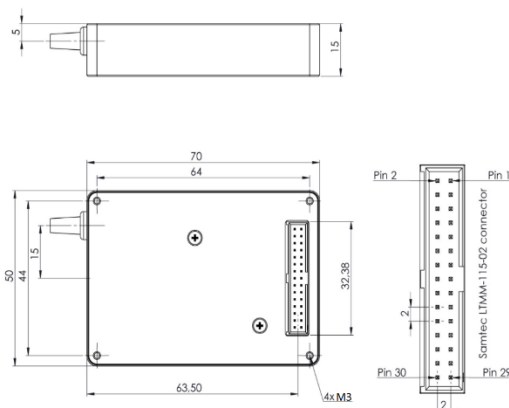
Parameter

Parameter Range

Parameter	Parameter Range
Wavelength [nm]	1530 ... 1565
Output Power [dBm]	Up to +30
Input Power Range [dBm]	-10 ... +15
Noise Figure [dB]	5.0
PDG [dB]	0.3
PMD [ps]	0.5
Optical Isolation [dB]	30
Return Loss [dB]	40
Fiber Termination / Connector	SC/APC, FC/APC, others
Power Supply Voltage [V]	+3.3 / +5
Power Consumption [W]	< 20
Operating Case Temperature [°C]	-5 ... +65
Communication Interface	RS232

Mechanical Dimensions

Ordering Information



Custom variants are available upon request, please contact our customer service to discuss your specification requirements.

Evaluation board available on request



Specifications are subject to change without notice