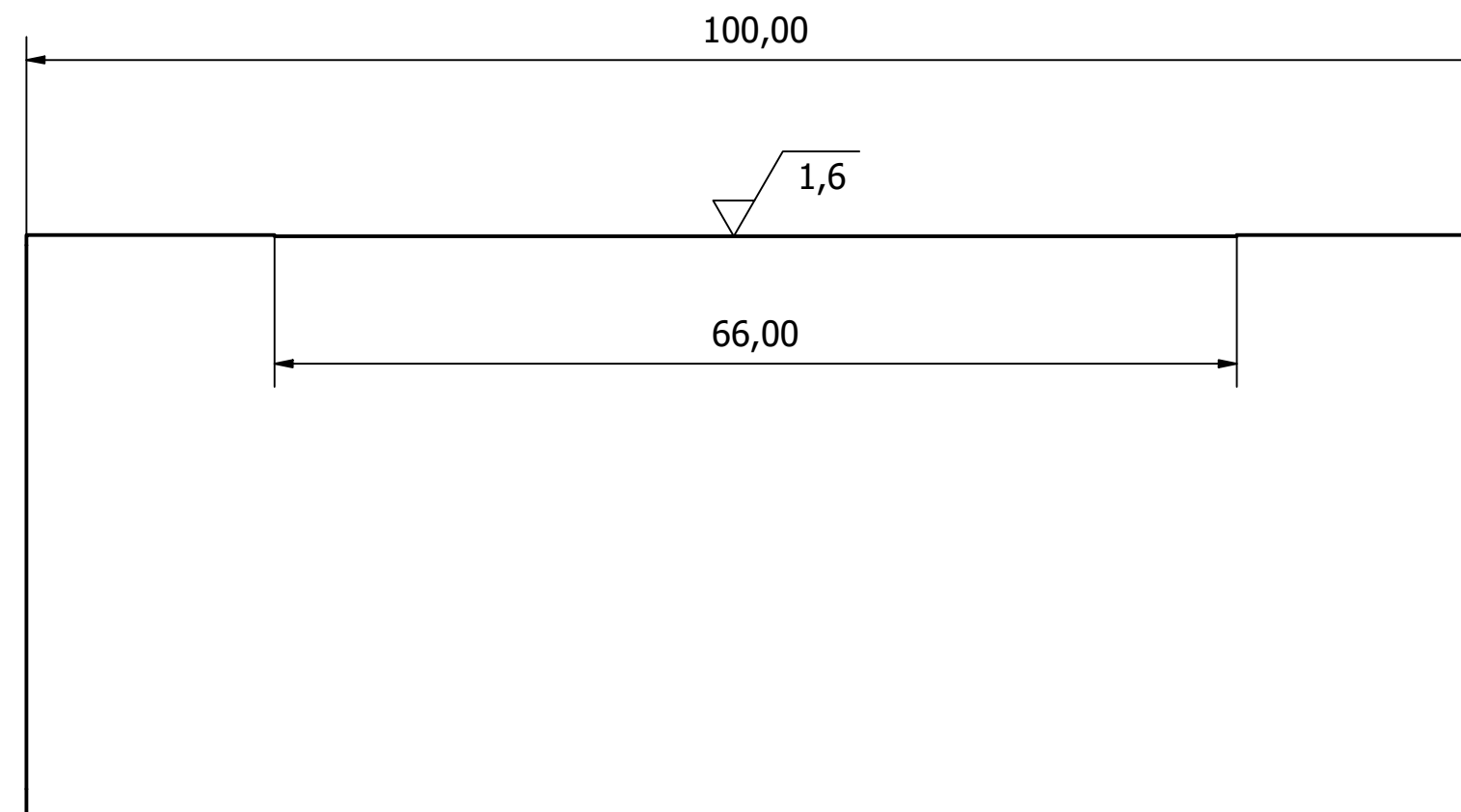
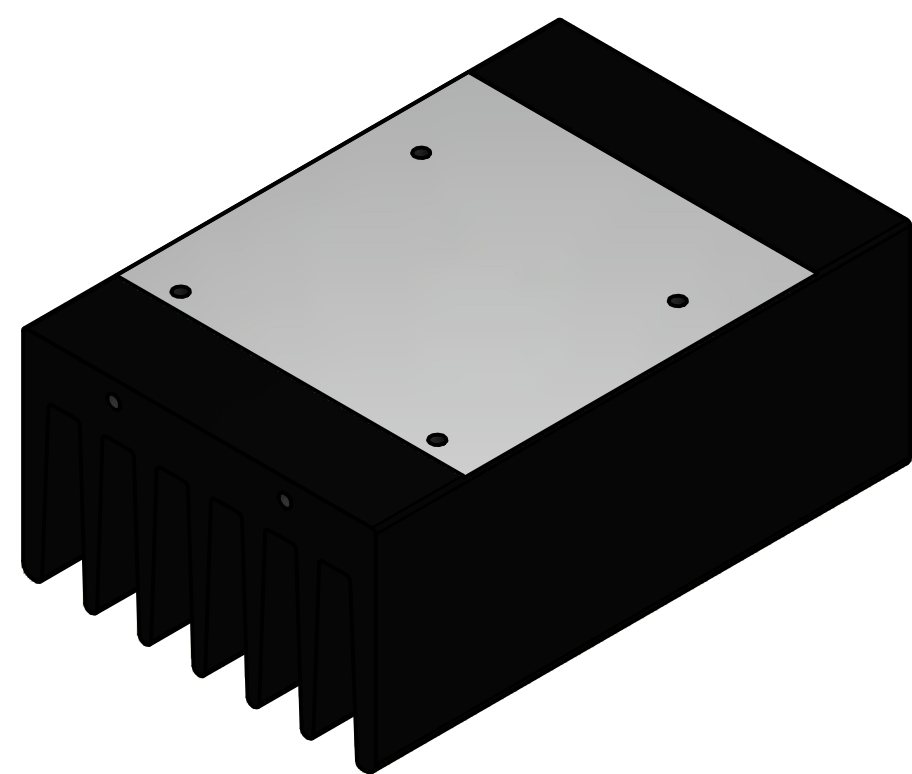
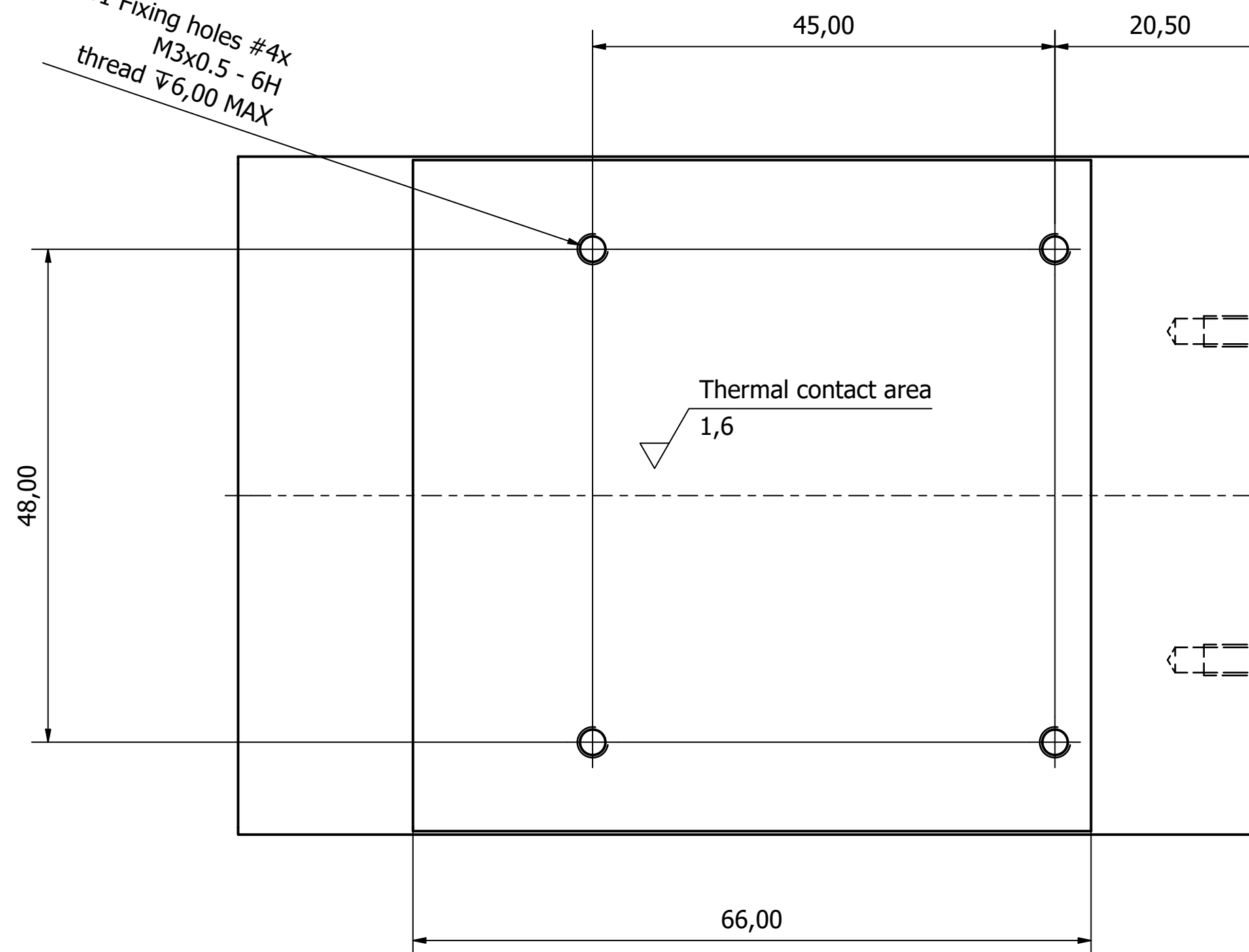


Fixing holes for optional fan  
 #2x M3x0.5 - 6H  
 thread  $\nabla 6,00$  MAX



SB1 Fixing holes #4x  
 M3x0.5 - 6H  
 thread  $\nabla 6,00$  MAX



All measure are in [mm]

c210630 SB1 series heatsink	
Date: 30/06/2021	Spec: c210630
All information included are confidential and subject to change. Up to date drawing can be provided upon request.	
