



PART NUMBER 40A-48A-52A-XXY-11
 ITEM NAME MULTI-WAVELENGTH LASER; FREE-SPACE (405 NM, 488 NM, 520 NM)

PRODUCT DATASHEET



DESCRIPTION

A widely configurable 3-wavelength dichroic multi-wavelength laser featuring precisely co-aligned optical paths in a free-space output configuration. All optics and electronics fitted into the ultra-compact 'Matchbox' housing. This particular configuration combines wavelengths, which are standard for use in Life Sciences, Food, Metrology, and Medical applications. An easy-to-use PC interface and separate TTL inputs allow full control over the individual wavelengths.

Features:

- Three wavelengths
- Plug-and-play
- Single user interface for all 3 wavelengths

Advantages:

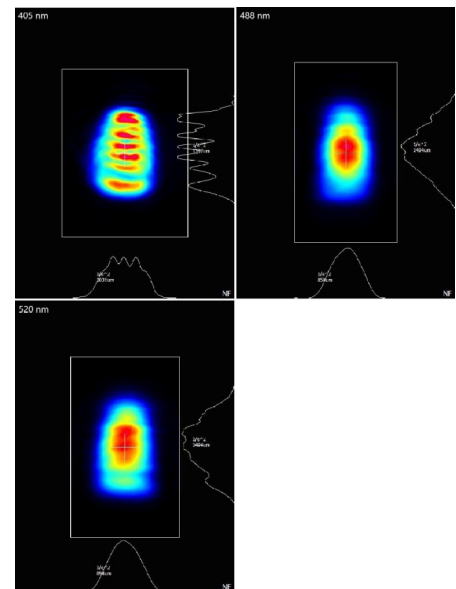
- Space-saving design
- No optics realignment
- Remote PC control

SPECIFICATIONS

Specifications updated: 28 May 2021

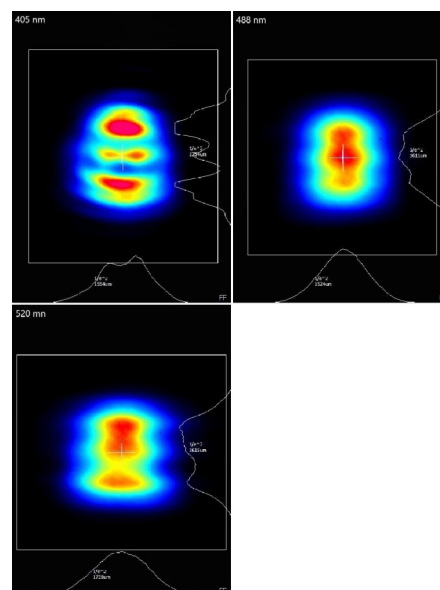
Parameter	Minimum Value	Typical Value	Maximum Value
Output power, mW	-	405 nm - 120 488 nm - 40 520 nm - 80 ¹	-
Wavelength Tolerance, nm	-	+/-5	-
Longitudinal Modes	-	Multiple	-
Spectral line width FWHM, nm	-	1	2
Power stability, % (RMS, 8 hrs) at 20 °C	-	0.2 ²	1
Intensity noise, % (RMS, 20 Hz to 20 MHz)	-	0.5 ³	1
Transversal modes	-	TEM00	-
Polarization direction	-	Horizontal	-
Polarization contrast	405 nm - 50 488 nm - 50 520 nm - 50	405 nm - 300 488 nm - 400 520 nm - 300	-
Beam Diameter at Aperture (1/e ²), mm	0.7	1	1.5
Beam position overlap, mm	0.1	0.3	0.5
Beam divergence (full angle), mrad	-	1.1	-
M ² effective (405 nm wavelength)	1.2	1.5	3
M ² effective (488 nm wavelength)	1.2	1.5	3
M ² effective (520 nm wavelength)	2	3	5
M ² effective (638 nm wavelength)	1.2	1.4	1.7

TYPICAL NEAR FIELD

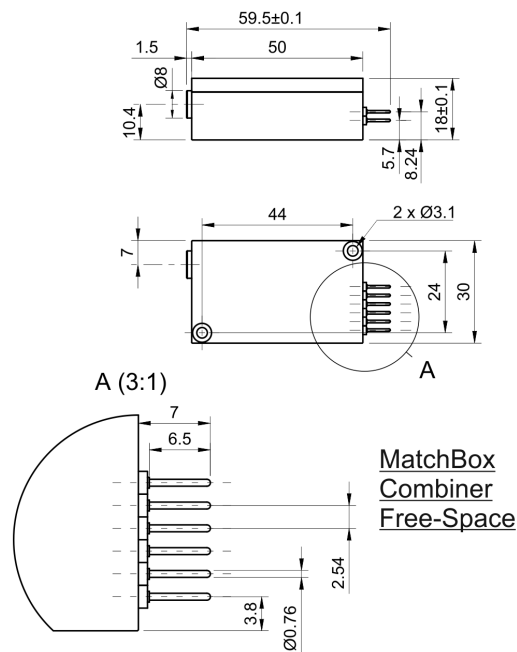


Polarization direction	-	Horizontal	-
Control Interface	-	UART ⁴	-
Operation Mode	-	ACC (CW)	-
Modulation bandwidth, MHz	-	10 ⁵	-
Input voltage, VDC	-	9	12
External Power Supply Requirement, V	-	+9 V DC, 1.5 A ⁶	+12 V DC, 1.5 A
Dimensions, mm	-	50 x 30 x 18 ⁷	-
Beam height from the base, mm	-	10.4	-
Heat-sinking requirement, °C/W	-	<0.5	-
Optimum heatsink temperature, °C	15	20	30
Warm-up Time, min (Cold Start)	0.1	0.5	1
Temperature Stabilization	-	Internal TEC	-
Overheat Protection	-	Yes	-
Storage temperature, °C (non-condensing)	-10	-	50
Net weight, kg	-	0.3	-
Power consumption, W	-	2 ⁸	18
Warranty, months (op. hrs)	-	14 (10000) ⁹	-
RoHS	-	Yes	-
CE Compliance	-	- General Product Safety Directive (GPSD) 2001/95/EC - (EMC) Directive 2004/108/EC	-
OEM Lasers Are Not Compliant With	-	IEC60825-1:2014 (compliant using additional accessories)	-

TYPICAL FAR FIELD



DRAWING



MatchBox
Combiner
Free-Space

¹ The optical power can be tuned from virtually 0% to 100% by changing the driving current of the laser diodes. However, other specifications, such as central wavelength, power stability, noise, polarization ratio, beam shape, quality, and circularity are not guaranteed at power levels other than factory preset power. Significantly worse power stability is to be expected at very low power levels, e.g. <3% from specified nominal power.

² The long term power test is carried out at constant laser body temperature (+/-0.1 °C) using an optical power meter with an input bandwidth of 10 Hz. The actual measurement rate has a period of about 20 seconds to 1 minute.

³ Noise level is measured with a fast photodiode connected to an oscilloscope. The overall system bandwidth is from 2 kHz to 20 MHz.

⁴ The break-out-box AM-C9 can be used for conversion of UART communication to USB.

⁵ TTL digital modulation up to 10 MHz.

⁶ If the break-out-box AM-C9 is used, a PD (Power Delivery) type of power supply can be used.

⁷ Excluding control interface pins and an output window/fiber assembly.

⁸ For single enabled wavelength.

⁹ Whichever occurs first.

Note: Product specifications are subject to change without prior notice to improve reliability, function or design or otherwise.