



PART NUMBER 0830L-34A  
 ITEM NAME 830 NM LASER (HP DIODE; MM FIBER)

## PRODUCT DATASHEET



### DESCRIPTION

High power 830 nm infrared laser of the MatchBox series coupled with multi-mode (MM) fiber. These lasers are used as compact and cost-effective laser sources for metrology and spectroscopy applications. High long-term power stability is ensured by TEC thermal stabilization, as well as thermal and optical feedback.

By default, this type of laser is built with FC/PC connector, but other fiber terminations are available upon request. Details about non-standard connector and the fiber used with it should be discussed with the Integrated Optics sales team.

### SPECIFICATIONS

Specifications updated: 13 May 2021

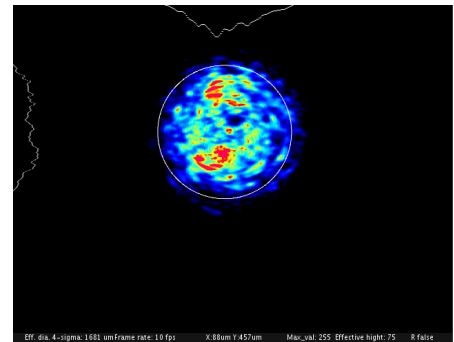
Parameter	Minimum Value	Typical Value	Maximum Value
Central Wavelength, nm	820	830	840
Longitudinal modes	-	Multiple	-
Spectral line width FWHM, nm	-	1	1
Output power, mW	-	1000 <sup>1</sup>	-
Power stability, % (RMS, 8 hrs)	-	1 <sup>2</sup>	2
Power stability, % (peak-to-peak, 8 hrs)	-	2 <sup>3</sup>	3
Intensity noise, % (RMS, 20 Hz to 20 MHz)	-	0.25 <sup>4</sup>	0.6
Transversal modes	-	Multiple	-
Control interface type	-	UART <sup>5</sup>	-
Operation mode	-	APC (CW)	-
Modulation bandwidth, kHz	-	1 <sup>6</sup>	-
Input voltage, VDC	4.8	5	5.3
External power supply requirement	-	+5 V DC, 1.5 A	-
Dimensions, mm	-	50 x 30 x 18 <sup>7</sup>	-
Fiber Length, m	0.95	1	1.1
Heat-sinking requirement, °C/W	-	1	-
Optimum heatsink temperature, °C	15	20	30
Warm up time, mins (cold start)	0.1	0.5	1
Temperature stabilization	-	Internal TEC	-
Overheat protection	-	Yes	-
Storage temperature, °C (non-condensing)	-10	-	50
Net weight, kg	0.1	0.12	0.14

### TYPICAL SPECTRUM

Spectrum of 830 nm Laser (HP Diode; MM Fiber)

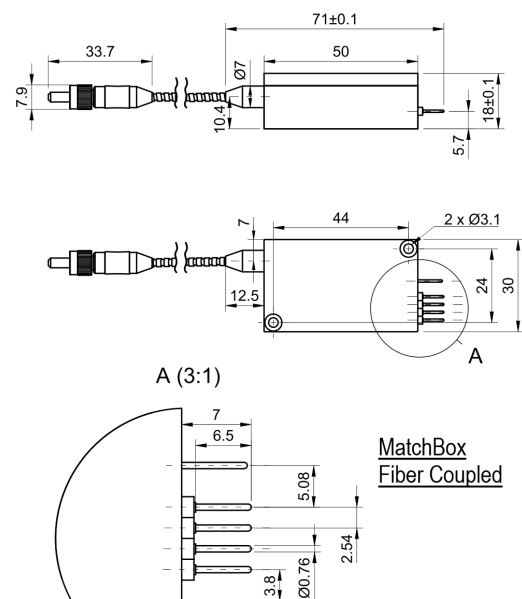
Typical spectrum of 0830 nm diode laser. Measured with 20 pm resolution.

### TYPICAL NEAR FIELD



Max. power consumption, W	0.4	2	10
Warranty, months (op. hrs)	-	14 (10000) <sup>8</sup>	-
RoHS	-	Yes	-
CE compliance	-	- General Product Safety Directive (GPSD) 2001/95/EC - (EMC) Directive 2004/108/EC	-
Laser Safety Class	-	4	-
OEM lasers are not compliant with	-	IEC60825-1:2014 (compliant using additional accessories)	-
Country of origin	-	Lithuania	-

## DRAWING



<sup>1</sup> The optical power can be tuned from virtually 0% to 100%. However, other specifications, such as central wavelength, power stability, noise, polarization ratio, beam shape, quality and circularity are not guaranteed at power levels other than factory preset power. Significantly worse power stability is to be expected at very low power levels, e.g. <3% from specified nominal power.

<sup>2</sup> The long term power test is carried out at constant laser body temperature (+/-0.1 °C) using an optical power meter with an input bandwidth of 10 Hz. The actual measurement rate has a period of about 20 seconds to 1 minute.

<sup>3</sup> The long term power test is carried out at constant laser body temperature (+/-0.1 °C) using an optical power meter with an input bandwidth of 10 Hz. The actual measurement rate has a period of about 20 seconds to 1 minute.

<sup>4</sup> Noise level is measured with a fast photodiode connected to an oscilloscope. The overall system bandwidth is from 2 kHz to 20 MHz.

<sup>5</sup> Break-out-boxes AM-C8 and AM-C3 can be used for conversion of UART communication to either USB or RS232.

<sup>6</sup> TTL digital modulation up to 10 MHz.

<sup>7</sup> Excluding control interface pins and an output window/fiber assembly.

<sup>8</sup> Whichever occurs first. The laser has an integrated operational hours counter.

Note: Product specifications are subject to change without prior notice to improve reliability, function or design or otherwise.