



PART NUMBER 0405L-15A  
 ITEM NAME 405 NM LASER (DIODE; PM FIBER)

## PRODUCT DATASHEET



### DESCRIPTION

Polarization-maintaining fiber-coupled 405 nm diode laser features extreme brightness combined with perfect beam shape and virtually perfect Gaussian intensity distribution. 405 nm is efficiently used in UV stereolithography, otherwise - 3D printing. A small footprint and flexible fiber delivery make this laser easy to integrate into compact stereolithography machines. Other applications of this laser include fluorescence spectroscopy or imaging, photobleaching, and many more. 405 nm lasers are assembled into an ultra-compact turn-key package with TEC cooling and digital electronics. **A core-less end-cap** is included for fiber tip protection against optical damage and degradation due to optical radiation.

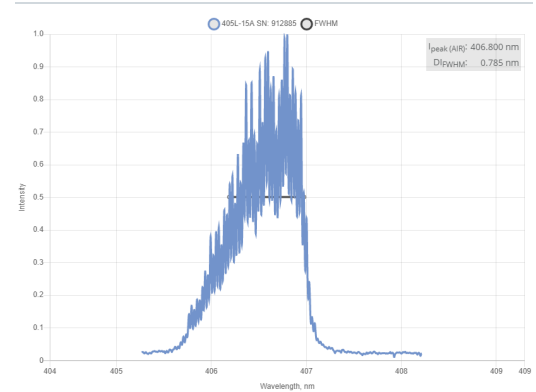
By default, this type of laser is built with FC/PC connector, but other fiber terminations are available upon request. Details about non-standard connector and the fiber used with it should be discussed with the Integrated Optics sales team.

### SPECIFICATIONS

Specifications updated: 18 May 2021

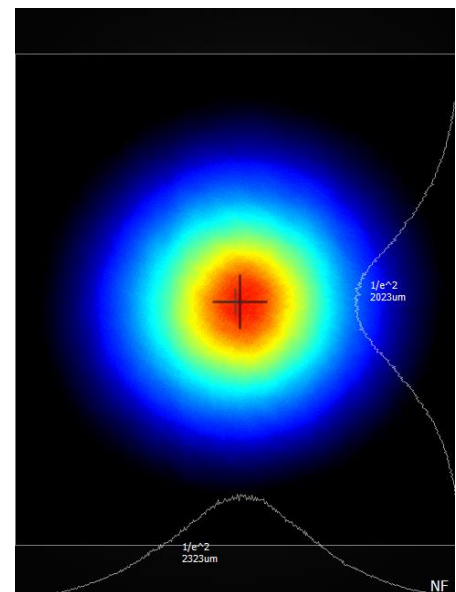
Parameter	Minimum Value	Typical Value	Maximum Value
Central Wavelength, nm	400	405	410
Spectral line width FWHM, nm	0.01	0.5	1
Output power, mW	-	100 <sup>1</sup>	150
Power stability, % (RMS, 8 hrs)	0.02	0.2 <sup>2</sup>	0.5
Power stability, % (peak-to-peak, 8 hrs)	0.1	0.5 <sup>3</sup>	3
Intensity noise, % (RMS, 20 Hz to 20 MHz)	0.05	0.25 <sup>4</sup>	0.6
Longitudinal modes	-	Multiple	-
Transversal modes	-	TEM00	-
M <sup>2</sup> effective	-	1.05	1.1
Fiber	-	PM-S405-XP	-
Fiber Length, m	0.95	1	1.1
Polarization direction	-	Aligned within the slow axis of the PM fiber and the key position.	-
Polarization extinction ratio (from PM fiber), dB	13	20 <sup>5</sup>	30
Control interface type	-	UART <sup>6</sup>	-
Operation mode	-	APC (CW) <sup>7</sup>	-
Modulation bandwidth, MHz	-	10 <sup>8</sup>	-
Input voltage, VDC	4.8	5	5.3
Input current, A	-	1.5	-
Max. power consumption, W	0.4	2	10
Heat-sinking requirement, °C/W	-	1	-

### TYPICAL SPECTRUM



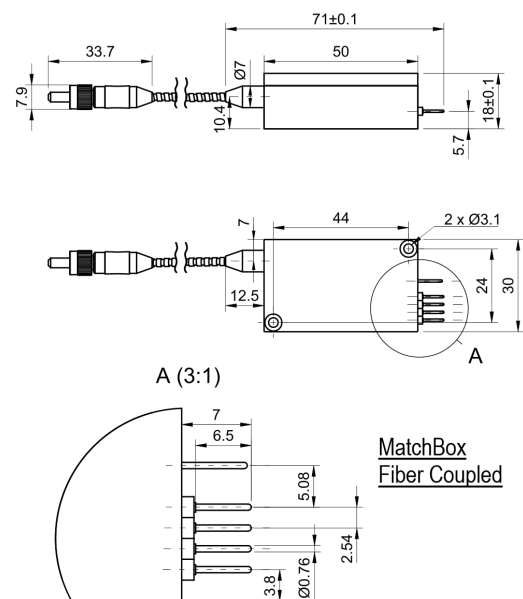
Typical spectrum of 0405 nm diode laser. Measured with 10 pm resolution.

### TYPICAL NEAR FIELD



Optimum heatsink temperature, °C	15	20	30
Warm up time, mins (cold start)	0.1	0.5	1
Temperature stabilization	-	Internal TEC	-
External fan control	-	TBD <sup>9</sup>	-
Overheat protection	-	Yes	-
Storage temperature, °C (non-condensing)	-10	-	50
Dimensions (WxDxH), mm	-	50 x 30 x 18 <sup>10</sup>	-
Net weight, kg	0.1	0.12	0.14
Laser Safety Class	-	3B	-
RoHS	-	Yes	-
CE compliance	-	- General Product Safety Directive (GPSD) 2001/95/EC - (EMC) Directive 2004/108/EC	-
OEM lasers are not compliant with	-	IEC60825-1:2014 (compliant using additional accessories)	-
Warranty, months (op. hrs)	-	14 (10000) <sup>11</sup>	-
Country of origin	-	Lithuania	-

## DRAWING



<sup>1</sup> Max. optical power can be reached only for the default fiber configuration with an end-cap. The optical power can be tuned from virtually 0% to 100%. However, other specifications, such as central wavelength, power stability, noise, polarization ratio, beam shape, quality and circularity are not guaranteed at power levels other than factory preset power. Significantly worse power stability is to be expected at very low power levels, e.g. <3% from specified nominal power.

<sup>2</sup> The long term power test is carried out at constant laser body temperature (+/-0.1 °C) using an optical power meter with an input bandwidth of 10 Hz. The actual measurement rate has a period of about 20 seconds to 1 minute.

<sup>3</sup> The long term power test is carried out at constant laser body temperature (+/-0.1 °C) using an optical power meter with an input bandwidth of 10 Hz. The actual measurement rate has a period of about 20 seconds to 1 minute.

<sup>4</sup> Noise level is measured with a fast photodiode connected to an oscilloscope. The overall system bandwidth is from 2 kHz to 20 MHz.

<sup>5</sup> Fiber bi / end-cap protection is included.

<sup>6</sup> Break-out-boxes AM-C8 and AM-C3 can be used for conversion of UART communication to either USB or RS232.

<sup>7</sup> APC - Automatic Power Control.

<sup>8</sup> TTL digital modulation up to 10 MHz in automatic current control (ACC) mode. TTL modulation speed in automatic power control (APC) is up to 1 kHz.

<sup>9</sup> This function can be enabled in hardware only if the fast modulation option is disabled. The customer must specify this before ordering the laser.

<sup>10</sup> Excluding control interface pins and an output window/fiber assembly.

<sup>11</sup> Whichever occurs first. The laser has an integrated operational hours counter.

Note: Product specifications are subject to change without prior notice to improve reliability, function or design or otherwise.