



AIRTRAC®

LD Laser Designator



Areté's AIRTRAC-LD Laser Designator is a ruggedized, high-shock laser with >50 mJ pulse energy. Full NATO STANAG 3733 capability in a very compact, lightweight and low power configuration. The athermal design provides high laser pulse energy over the full MIL-SPEC temperature range with low beam divergence and a full system weighing less than 1 lb. AIRTRAC-LD has established a new standard in size for lasers of this class.

Key Features

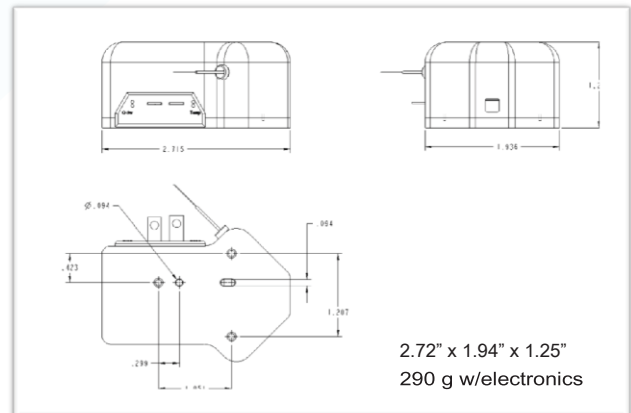
- Compact efficient athermal laser resonator
- Solid state technology for increased efficiency and long life performance
- High energy with low beam divergence
- No significant warm-up time
- Reduced heat-load: conduction or air cooled
- Continuous operation
- Shock & vibration hardened



Areté | 9301 Corbin Ave. Northridge, CA 91324 | arete.com
POC: James Murray | jmurray@arete.com | (303) 532-8497
Business POC | Jay Rouse | jrouse@arete.com
Copyright © 2018 Areté Associates | All Rights Reserved

AIRTRAC[®]-LD Laser Designator

AIRTRAC-LD
P/N 112500



Parameter	Value	Comments
Weight	290 g	112500 AIRTRAC-LD resonator with electronics
Wavelength	1.064 um	
Output Energy	>50 mJ	
Pulse Width	10-25 ns	
Pulse Codes	STANAG 3733 I&II	
Beam Divergence	< 375 urad	With a 4X telescope
Beam Jitter	< 37 urad	< 1/10 beam divergence
Max Rep Rate	21 Hz	
Min Rep Rate	7 Hz	
Pulse Energy Stability	< 10% typ	Compared to a 100 pulse rolling average
Missing Pulses	< 2 in 120 s	
Secondary Pulses	None	
Power (Voltage)	18-33 VDC	
Average Standby/Arm power	4 W	
Average Power Draw (total)	< 30W	< 25 W for 50 mJ @ 20 Hz for most operation
Peak Current	< 3.0 A	
Initialization Time	< 5 s	Power on to standby
Arm Time	<100 ms	Standby to arm
Laser Start Up Exception	<1 s	
Timing Jitter	<10 ns	
Hot Operation	+70 C	SW shutdown occurs @ 71 C
Cold Storage	-46 C	
Cold Operation	-30 C	

This product is listed under category XII(b) of the United States Munitions List. International Traffic In Arms Regulations (ITAR) requires a valid export license prior to technical or hardware shipments or transmissions of information.