



www.rpmclasers.com

# High Power Temperature Stabilized Laser Diode Module ML2040



## Specifications (T = 25°C)

Wavelength (nm)	635 - 1060*
Output power (mW)	200 - 1000* (depends on the wavelength and beam parameters)
Operating mode	CW, Pulse*
Power stability (over 24 hours)	< ±0.5%
Power stability (over lifetime)	< ±3%
Operating voltage (V)	3...5
Maximum power consumption (W)	< 5 (CW mode)
Reverse polarity protection	Yes
Housing electrical potential	Isolated housing
Protection marking	IP65
Dimensions (mm)	110 (119,5) x 40 x 20 (L x W x H)
Housing material	Black anodized aluminum, D16
Operating temperature (°C)	-10 - +40
<b>Beam shape - Round</b>	
Beam diameter at the aperture (mm)	< 8
Beam divergence (full angle) (mrad)	< 0.4
Beam width @ 100mm	< 100µ
<b>Beam shape - Line</b>	



www.rpmclasers.com

### Order Information

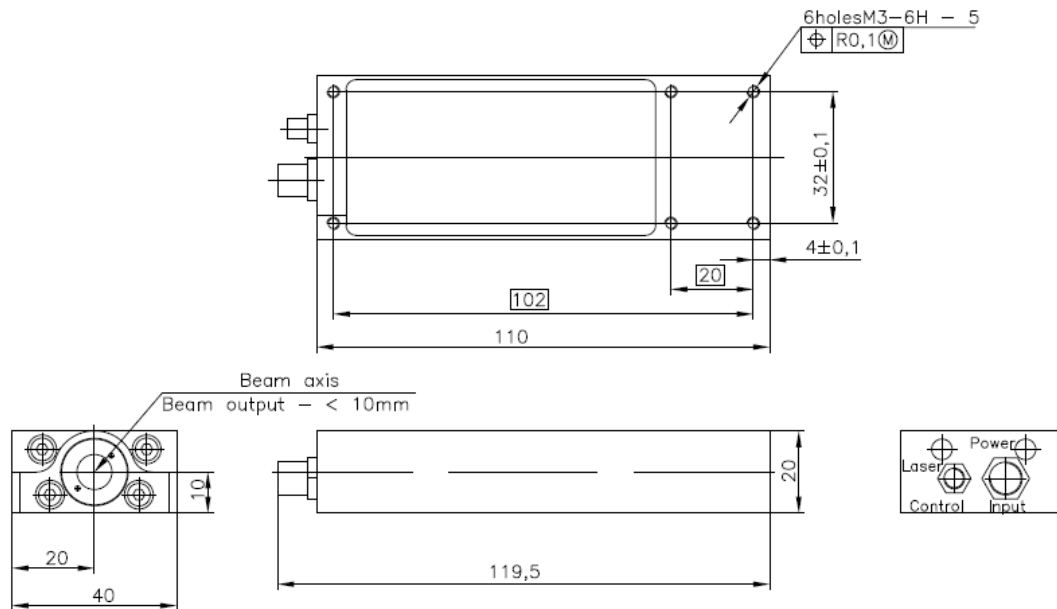
**ML2040-XXXX-YYYY-ZZ**

Wavelength (nm) | Fan angle (line laser option only) or other beam parameters  
 Output power (mW)

### Options

- Manual wavelength control
- Laser switch on/off: Direct or reverse by TTL signal
- Analogue modulation up to 100kHz
- Digital modulation up to 1MHz
- Output power adjustment by integrated potentiometer
- Extra heatsink

### Laser Head Drawing



Sizes - in mm  
 Tolerance -  $\pm 0,2\text{mm}$