
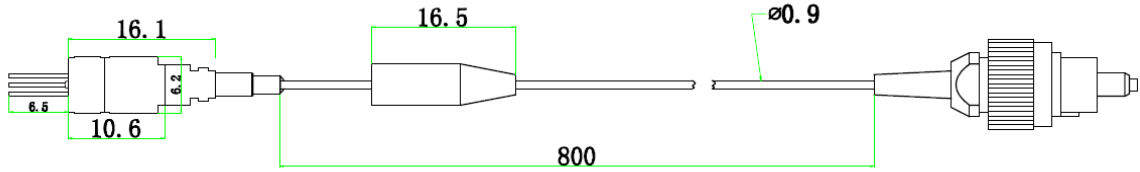


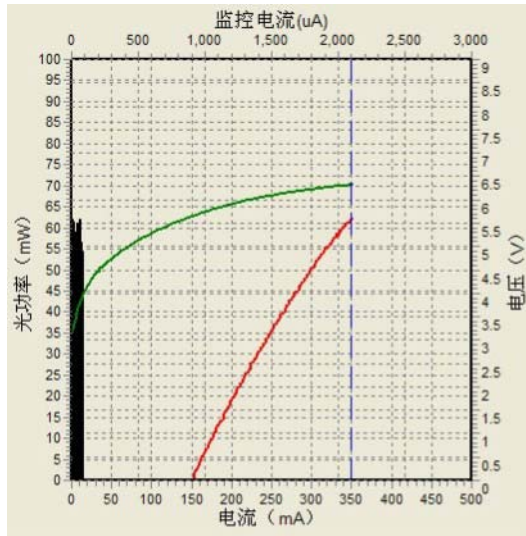
520nm Pigtailed Diode Laser		MM Fiber	
PARAMETER	SYMBOL	VALUE	UNIT
Reverse Voltage	V_r	2.0	V
Operating Temperature	T_{op}	0~+60	°C
Storage Temperature	T_{stg}	-40~+85	°C
Lead soldering temperature (10 sec.)	T_{is}	260	°C
Features: <ul style="list-style-type: none"> ⊗ 520nm Green Diode Laser ⊗ Multimode Fiber ⊗ Coaxial Package 			
Applications: <ul style="list-style-type: none"> ⊗ Medical laser treatment ⊗ Others 			
Specifications			
	Min	Type	Max
Center Wavelength@25°C	515nm	520nm	530nm
Spectral Width (FWHM)	----	2.0nm	----
Output Power	----	50mW	----
Fiber Type	Multimode Fiber		
Fiber Core	105um (50um, 62.5um Optional)		
Recommend Operating Temperature	25°C		
Fiber Connector	FC		
Fiber Length	----	80cm	100cm
Threshold Current (Typ.)	----	140mA	200mA
Operating Current (Typ.)	-----	350mA	400mA
Operating Voltage	----	6.5V	7.5V
Package Style	Coaxial		

Coaxial Package View

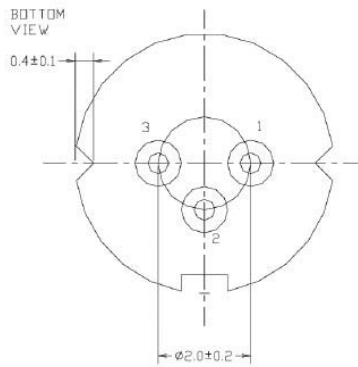


单位: mm

PVI Curve:



PIN Bottom View:



1	LD(+)
2	GND
3	LD(-)

Electrically shorten LD module and store in non-extreme conditions.
Suggest using the constant current power supply.

