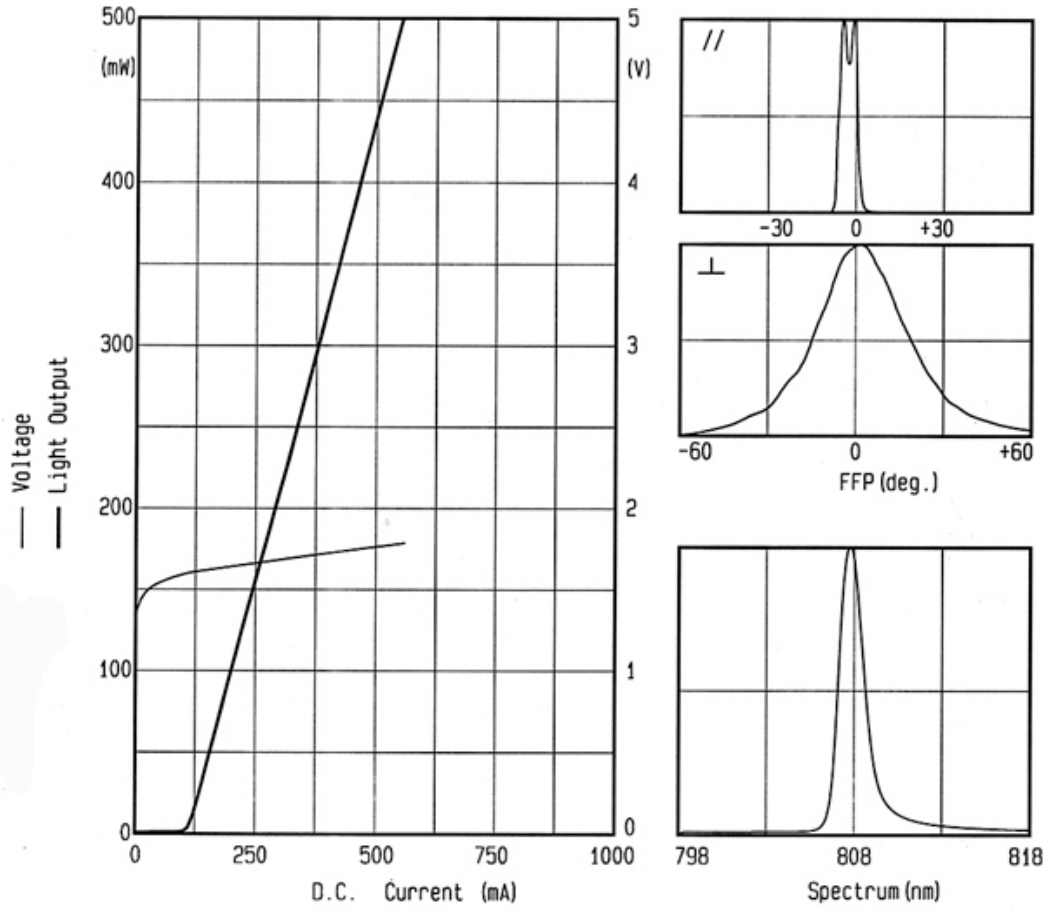
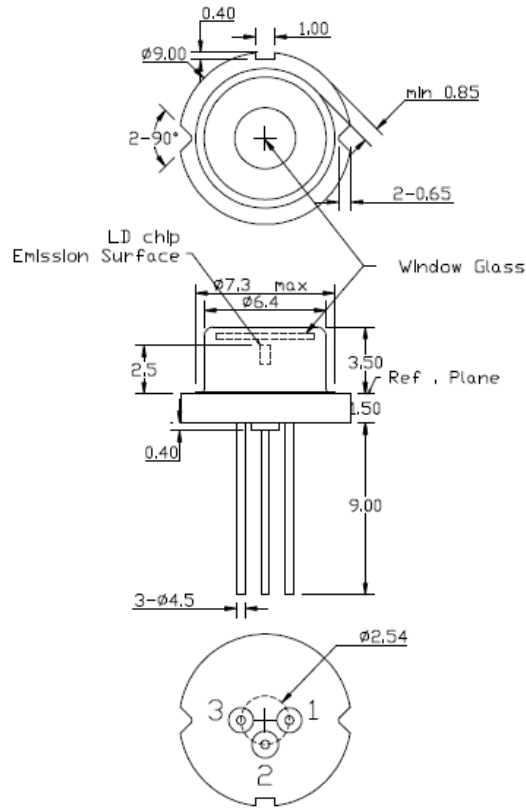


808nm Laser Diode 500mw			
Reverse Voltage	$V_r$	2.0	V
Operating Temperature	$T_{op}$	-10 ~ +50	°C
Storage Temperature	$T_{stg}$	-40 ~ +85	°C
Lead soldering temperature (10 sec.)	$T_{is}$	260	°C
<b>Features:</b> <ul style="list-style-type: none"> <li>✘ 808nm</li> <li>✘ 500mW output Power</li> <li>✘ TO5(9mm) package</li> <li>✘ Built-in Photodiodes</li> </ul>			
<b>Applications:</b> <ul style="list-style-type: none"> <li>✘ Medical laser treatment</li> <li>✘ Laser indicator</li> <li>✘ Others</li> </ul>			
Specifications			
	Min	Type	Max
Center Wavelength@25°C	805nm	808nm	811nm
Spectral Width (FWHM)	----	2.5nm	----
Output Power	----	500mW	----
Emitter Area	----	50x1µm	----
Beam Divergence (FWHM)	----	36°± x 10°//	40°± x 12°//
Temperature Coefficient of Wavelength	----	0.28nm / °C	----
Slope Efficiency	----	1.0W/A	----
Threshold Current (Typ.)	----	----	0.15A
Operating Current (Typ.)	----	----	0.65A
Operating Voltage	----	1.6V	2.2V
Package Style	TO5 (9mm)		
Recommended Operating Temperature	25°C		

**Spectrum**



**TO5(9mm) Package View**



<b>1</b>	<b>LD(-)</b>
<b>2</b>	<b>LD(+)&amp;PD(-)</b>
<b>3</b>	<b>PD(+)</b>

Electrically shorten LD module and store in non-extreme conditions.

Suggest using the constant current power supply.

