
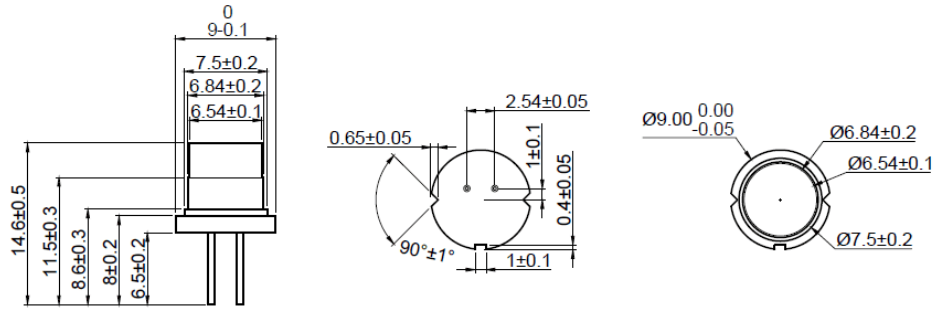


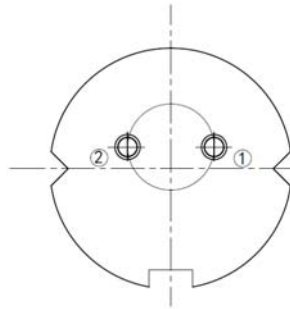
445nm Collimated Laser Diode 4.5W/TO5			
PARAMETER	SYMBOL	VALUE	UNIT
Reverse Voltage	$V_r$	2.0	V
Operating Temperature	$T_{op}$	0 ~ +60	°C
Storage Temperature	$T_{stg}$	-40 ~ +85	°C
Lead soldering temperature (10 sec.)	$T_{is}$	260	°C
<b>Features:</b> <ul style="list-style-type: none"> <li>✘ 445nm</li> <li>✘ Collimated Laser Beam</li> <li>✘ Small Compact Package</li> <li>✘ Excellent Beam Quality</li> <li>✘ Built-in PD Optional</li> <li>✘ Built-in TEC Cooling Optional</li> </ul>			
Specifications			
	Min	Type	Max
Center Wavelength@25°C	440nm	450nm	465nm
Output Power (CW Mode)	----	4.5W	----
Spatial Mode	Multi-mode		
Lens Type	Aspheric Lens (with AR Coating)		
Beam Shape	Elliptical		
Beam Diameter @ Aperture	----	3mm <sub>⊥</sub> x 1.5mm <sub>∥</sub>	----
Beam Divergence (Full Angle)	----	18mrad	----
Recommend Operating Temperature	25 °C		
Monitor Current	----	----	----
Threshold Current (Typ.)	----	0.3A	0.5A
Operating Current (Typ.)	----	3.0A	3.2A
Operating Voltage	----	4.5V	5.5V
Package	TO5(9mm)		

**Package Drawing:**

mm



**PIN Bottom View:**



1	LD(+)
2	LD(-)

Electrically shorten LD module and store in non-extreme conditions.  
Suggest using the constant current power supply.

