

# HPFL

## CW Erbium Ytterbium Fiber Laser

### Applications

- ▶ OPO, Scientific
- ▶ Medical
- ▶ Test & Measurement

### Features

- ▶ High Output Power, up to 5W
- ▶ Compact Package (170 x 150 x 25 mm)
- ▶ Low Power Consumption

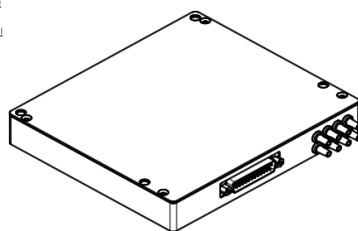
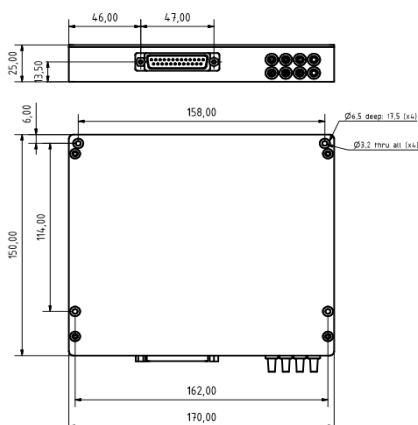


### Parameter

		Parameter Range
Center Wavelength	[nm]	1535 ... 1570
Wavelength Drift	[nm/°C]	0.1
Laser Output Power	[W]	Up to 5
Laser Linewidth	[nm]	2
Operating Mode		CW
Max Modulation Frequency	[kHz]	2
Output Power Stability	[%]	2
Beam Quality		Single Mode fiber
Polarization		Random / Linear
Mechanical Dimensions	[mm]	170x150x25
Operating Case Temperature	[°C]	0...+70
Output Fiber length	[cm]	100
Output Termination		SC/APC, FC/APC, Collimator
Power Supply Voltage	[VDC]	24
Power Consumption	[W]	150
Communication Interface		RS-232

up to 100

### Mechanical Dimensions



### Ordering Information

Custom variants are available upon request, please contact our customer service to discuss your specification requirements.

Evaluation board available on request



Specifications are subject to change without notice