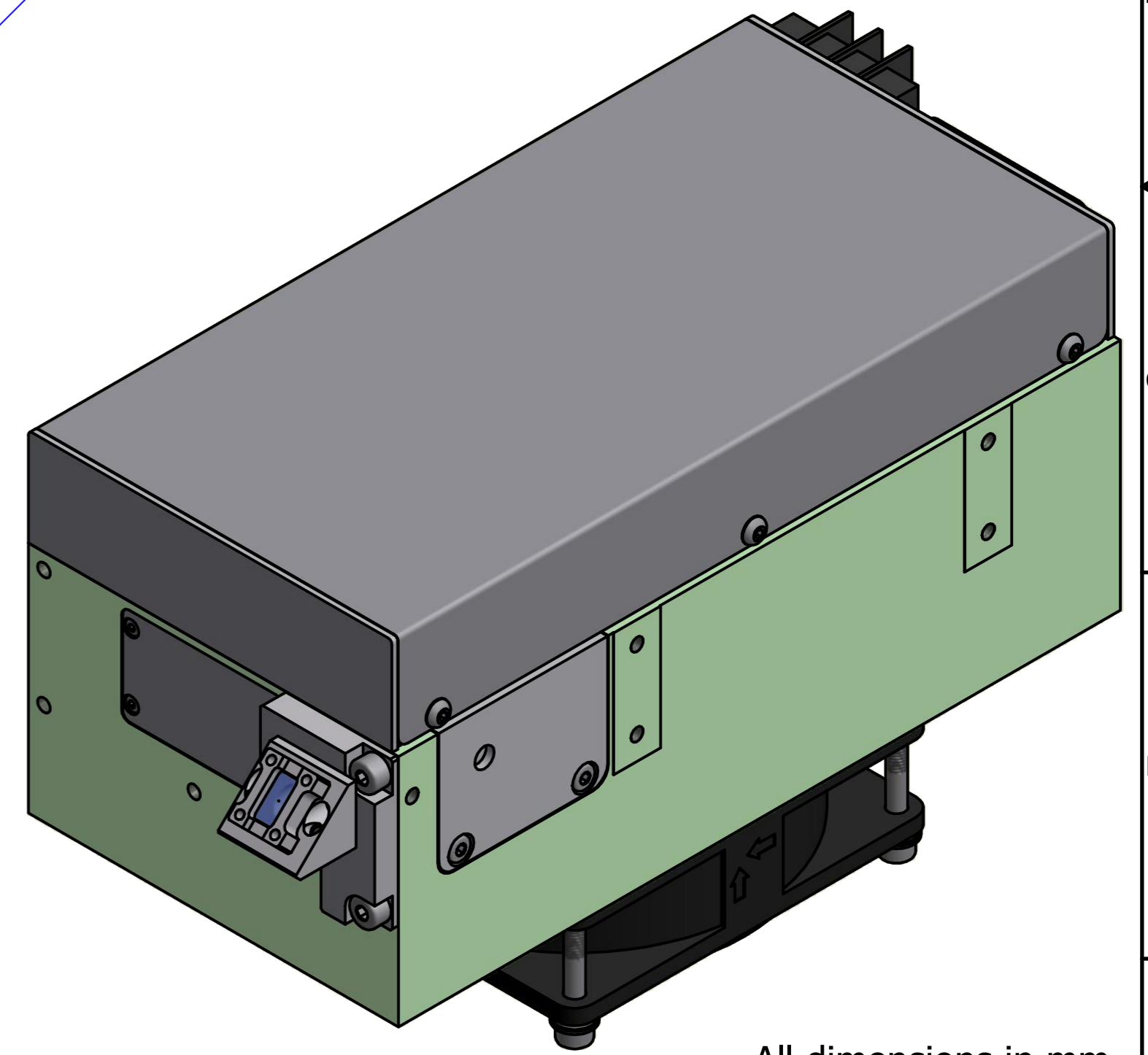
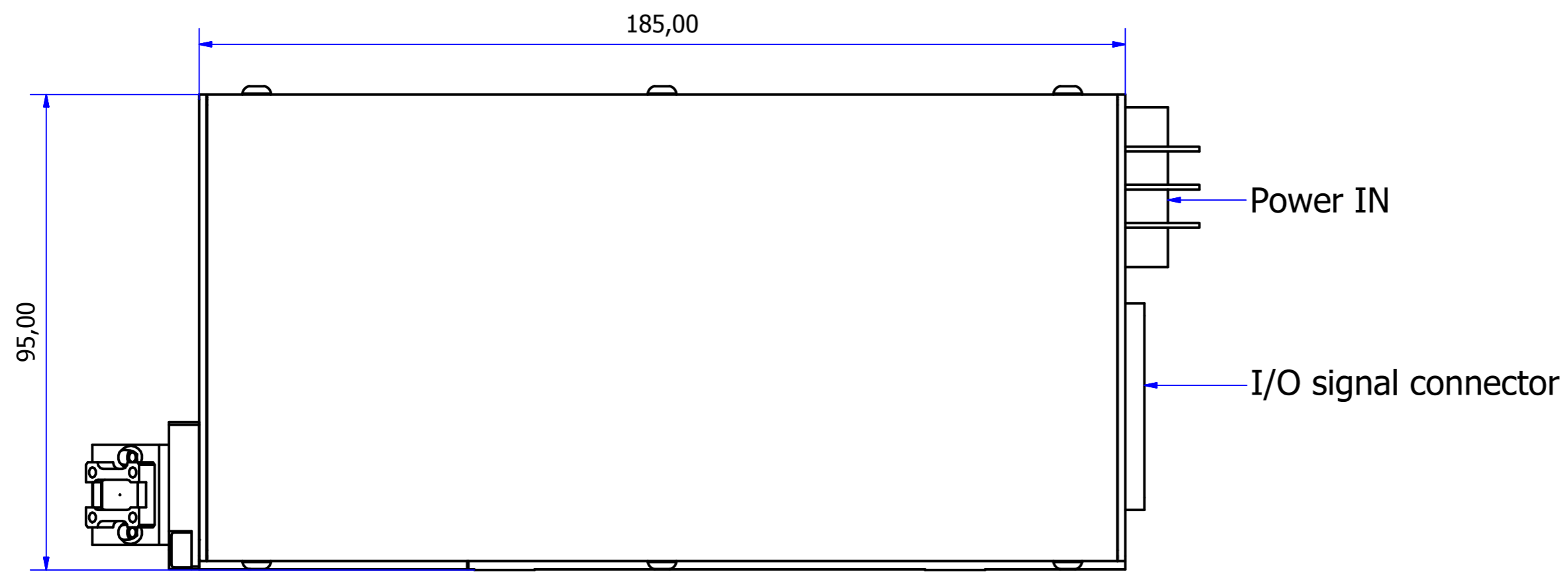


n°4 mounting holes M4x0.7
 n°3 mounting holes M4x0.7



All dimensions in mm

wedge HF 266 out line V5	
Date: 03/04/2017	Rev: -
All information included are confidential and subject to change. Up to date drawing can be provided upon request.	
