

WEDGE XF 266nm

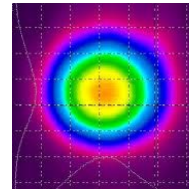
Spec. #: **WXF18402**

Diode Pumped Solid State Laser



MAIN FEATURES

- _ 266 nm
- _ 400 ps
- _ > 5 μ J
- _ Compact Design
- _ Air Cooled



Technical Specifications

Primary Output Wavelength	266	nm
Q-Switch Repetition Rate	10 to 50 <i>(option: single shot to 10 kHz)</i>	kHz
Pulse energy @ 266nm	> 5 @ 10kHz	μ J
Pulse Width	400 to 700	ps
Low Jitter Option (for direct Q-Switch driving)	< 300	ps
Pulse to pulse Energy stability (RMS)	< 10% @ 10 kHz (typical 8%)	
Polarization	Linear 100:1	
M ²	< 1.5 (typical < 1.3)	
Beam diameter (1/e ²)	< 2	mm
Pulse frequency control input	TTL (0 - 5V)	
Energy level control input	0 to 10 V (Analog)	
Cooling	Air Cooling, integrated thermostatic fan	
Power supply input	24 V DC – < 4 A	
Control Connector	DB 25 pin	
Optional AC/DC power supply	100 – 230 VAC	
Size of the unit	18 x 9 x 7	cm ³
Weight	< 2	kg



All information included in this document are subject to change without notice.

Updated data sheets can be provided on request.

For further details, please contact your local **Bright Solutions** sales representative or visit our website at www.brightsolutions.it

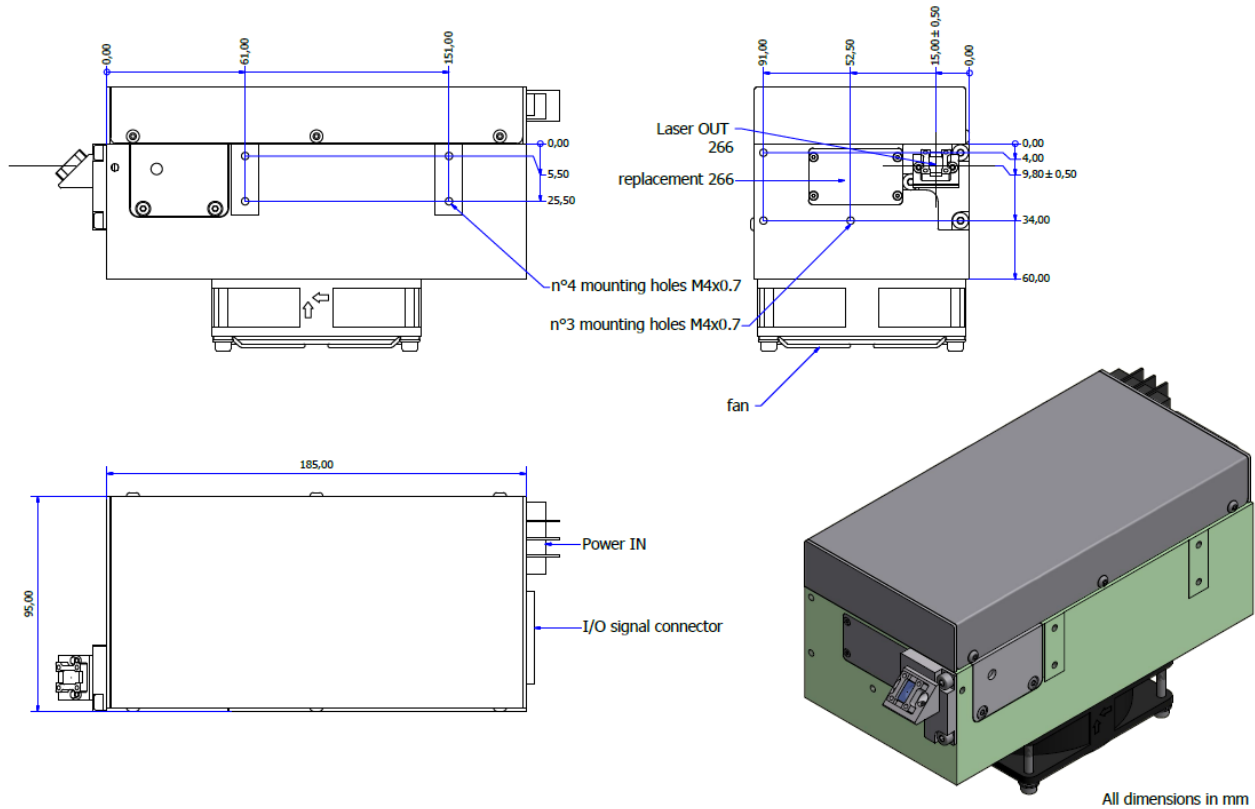
Bright Solutions Srl

Via Artigiani, 27
27010 Cura Carpignano - PV
Italy

Ph. +39 0382583094

e-mail: sales@brightsolutions.it

Mechanical Drawings



Options Available:

- Beam Expanding and Collimating optics
- Collinear 532nm beam
- External beam separator

Applications:

- Ablation / Micromachining of thin films
- LIDAR – LADAR - LIBS
- Specialty Scribing / Material processing



All information included in this document are subject to change without notice.

Updated data sheets can be provided on request.

For further details, please contact your local **Bright Solutions** sales representative or visit our website at www.brightsolutions.it

Bright Solutions Srl
Via Artigiani, 27
27010 Cura Carpignano - PV
Italy
Ph. +39 0382583094
e-mail: sales@brightsolutions.it