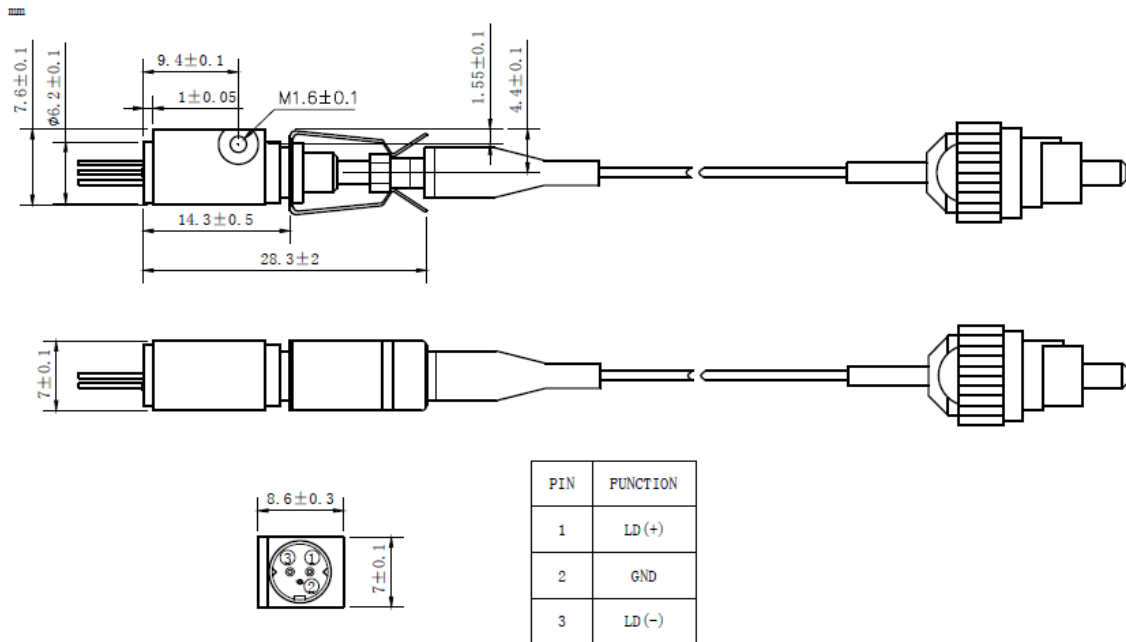
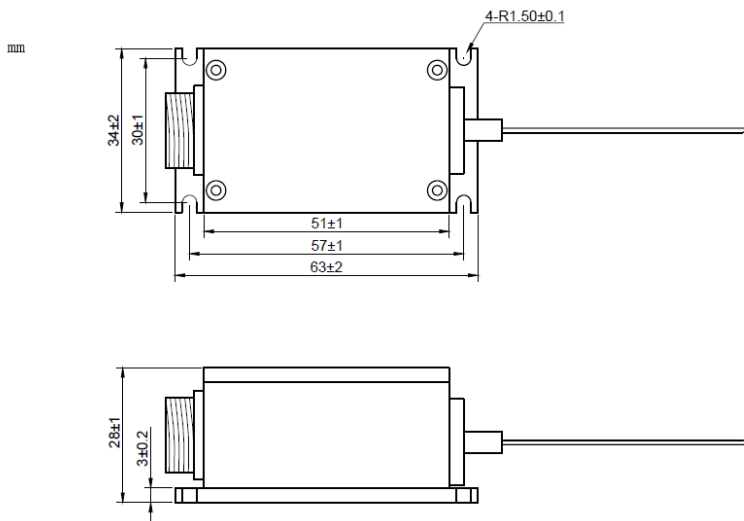


445nm Pigtailed Diode Laser		1W/MM Fiber	
PARAMETER	SYMBOL	VALUE	UNIT
Reverse Voltage	V_r	2.0	V
Operating Temperature	T_{op}	0 ~ +70	°C
Storage Temperature	T_{stg}	-40 ~ +85	°C
Lead soldering temperature (10 sec.)	T_{is}	260	°C
Features: <ul style="list-style-type: none"> ✘ 450nm ✘ CW Mode ✘ Coaxial or HHL Package ✘ Fiber Receptacle Optional 			
Applications: <ul style="list-style-type: none"> ✘ Medical Laser Treatment ✘ Printing ✘ Others 			
Specifications			
	Min	Type	Max
Center Wavelength@25°C	±5nm	450nm	±10nm
Spectral Width (FWHM)	----	2.0nm	----
Output Power	----	1W	----
Recommend Operating Temperature	25°C		
Fiber Type	UV Multi-mode Fiber		
Fiber Core	105um		
Threshold Current (Typ.)	----	0.3A	0.6A
Operating Current (Typ.)	----	1.4A	1.6A
Operating Voltage	----	6.0V	7.0V
Fiber Length	80cm		
Fiber Connector	FC/SC/SMA905		
Package Style	Coaxial or HHL		
TEC cooler	Optional		

Coaxial Package View: (Part Number: WSLP-445-001-M)



HHL Package View (Built-in TEC cooler): (Part Number: WSLX-445-001-H-T)



Electrically shorten LD module and store in non-extreme conditions.
Suggest using the constant current power supply.

